



## EIKON: 1P NO 10A push button mech.screwless

**20008.FX.0**

Wiring devices / Traditional wiring devices / EIKON / Devices

### 1P NO 10A push button mech.screwless

1P NO 10 A 250 V~ push button mechanism, screwless terminals, lightable, to complete with 1, 2 or 3-module button

### Product Status

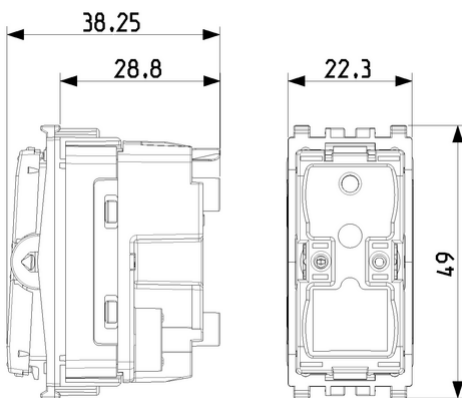
3 - Active

### Minimum order quantity

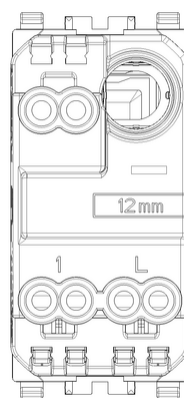
20 NR



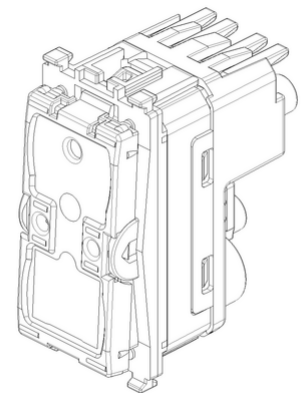
## Drawings



Space view



Backside view



3D View

## Certifications

- 00. CE Marking - EU
- 04. NF - France ([download](#))
- 09. VDE - Germany ([download](#))
- 37. Marking - Morocco
- 96. Electrotechnical expert ([download](#))
- 99. WEEE Directive ([download](#))

## Technical data

**Class group:** Domestic switching devices

**Class:** Push button

**Assembly arrangement:** Modular device for domestic switching devices

**Model:** Single push button

**Operating method:** Push button

**Number of rockers:** 1

**Number of modules (module system):** 100

**Number of poles:** 1

**Nominal voltage:** 250 V

**Rated current:** 10,00 A

**With lighting:** Yes

**Monitoring contact:** No

**Mounting method:** Built-in

**Type of fastening:** Engage (snap)

**Material:** Plastic

**Material quality:** Thermoplastic

**Halogen free:** Yes

**Surface protection:** Untreated

**Surface finishing:** Matt

**Colour:** Anthracite

**RAL-number (similar):** 7024

**Transparent:** No

**Label space/information surface:** Yes

**Suitable for degree of protection (IP):** IP40

**Device width:** 22,30 mm

**Device height:** 49,00 mm

**Device depth:** 36,30 mm

## Packaging



8007352515796

**Qtà** 1 NR

**Dim** 5.1x2.8x5.3 [cm]

**Weight** 22.8 [g]



8007352515802

**Qtà** 20 NR

**Dim** 27x11.6x6 [cm]

**Weight** 514.5 [g]

## Legal

Vimar reserves the right to change at any time and without notice the characteristics of the products reported. Installation should be carried out by qualified staff in compliance with the current regulations regarding the installation of electrical equipment in the country where the products are installed. For the terms of use of the information on the product info sheet see [Conditions of Use](#).