



EIKON: Button 2M bell symbol white

20022.C.B

Wiring devices / Traditional wiring devices / EIKON / Buttons

Button 2M bell symbol white

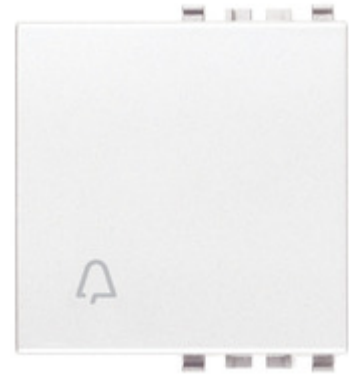
Interchangeable 2-module button, lightable bell symbol, white

Product Status

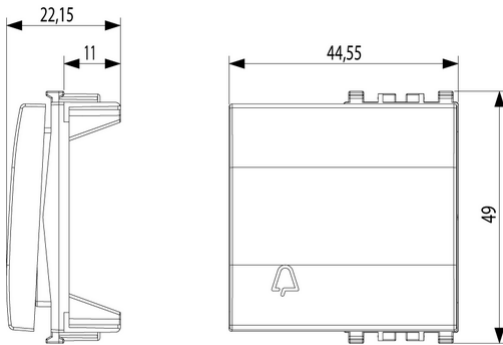
3 - Active

Minimum order quantity

2 NR



Drawings

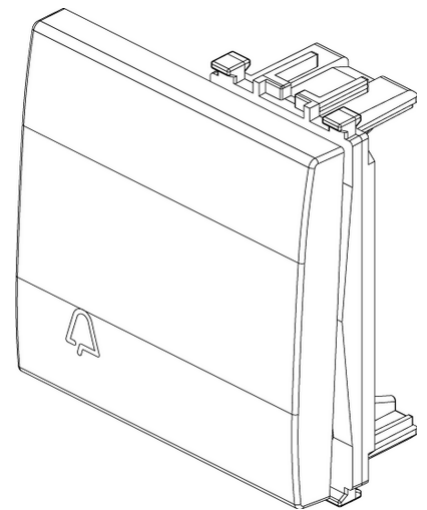


Space view



VIMAR

Backside view



3D View

Certifications

- 00. CE Marking - EU
- 00. CE Marking - EU
- 01. IMQ - Italy ([download](#))
- 96. Electrotechnical expert ([download](#))

Technical data

Class group: Domestic switching devices

Class: Control element/cover plate for domestic switching devices

Model: One-part rocker

Imprint/indication: Symbol "bell"

Utilization: Switch/push button

Suitable for touch sensor connector for bus system: No

Type of fastening: Clamp mounting

Monitoring window/light outlet: Yes

Material: Plastic

Material quality: Thermoplastic

Halogen free: Yes

Surface protection: Untreated

Surface finishing: Matt

Colour: White

RAL-number (similar): 9016

With label area: No

With exchangeable lens/symbol: No

Suitable for degree of protection (IP): IP40

Depth: 1.115,00 mm

Packaging



8007352316744

Qtà 1 NR
Dim 4.46x4.9x2.29 [cm]

Weight 8.6 [g]



8007352316751

Qtà 2 NR
Dim 5.1x2.8x5.3 [cm]

Weight 21.13 [g]



8007352731394

Qtà 20 NR
Dim 14.4x11.6x6 [cm]

Weight 211.3 [g]

Legal

Vimar reserves the right to change at any time and without notice the characteristics of the products reported. Installation should be carried out by qualified staff in compliance with the current regulations regarding the installation of electrical equipment in the country where the products are installed. For the terms of use of the information on the product info sheet see [Conditions of Use](#).