



EIKON: 1P NO 10A name-plate push button Next

20050.N

Wiring devices / Traditional wiring devices / EIKON / Devices

1P NO 10A name-plate push button Next

1P NO 10 A 250 V~ lightable name-plate push button, for E10 10x28 mm 1 W max lamp, Next - 2 modules. Delivered without lamp

Product Status

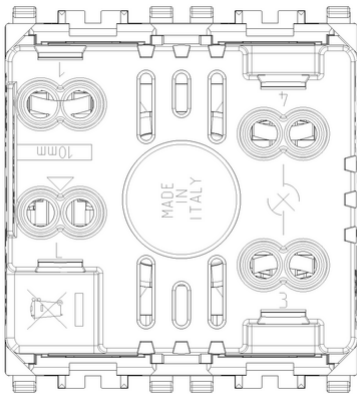
3 - Active

Minimum order quantity

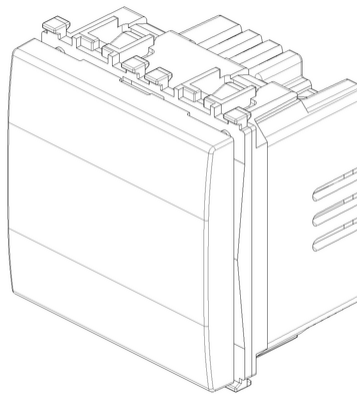
20 NR



Drawings



Backside view



3D View

Certifications

- 00. CE Marking - EU
- 01. IMQ - Italy ([download](#))
- 14. TSE - Turkey
- 19. NOM - Mexico
- 20. IQC - Argentina
- 31. TISI - Thailand
- 36. ISI - India
- 37. Marking - Morocco
- 96. Electrotechnical expert ([download](#))
- 99. WEEE Directive ([download](#))

Technical data

Class group: Communication technique
(components and systems)

Class: Bell push button

With name plate: Yes

With lighting: Yes

Material: Plastic

Mounting method: Flush-mounted

Colour: Grey

Wireless: No

Built-in depth: 26,50 mm

Height: 49,00 mm

Packaging



8007352291393

Qtà 1 NR

Dim 5.1x4.3x5.3 [cm]

Weight 51.2 [g]



8007352291409

Qtà 20 NR

Dim 26.9x11.6x9 [cm]

Weight 1,103.8 [g]



8007352642027

Qtà 240 NR

Dim 38x28.5x35.5 [cm]

Weight 13,764 [g]

You may also be interested in



14771 - E10 10x28mm
24V 2W incand.lamp
white



14777 - E10 10x28mm
220V 3W incand.lamp
white



00940 - E10 10x21 230V
0,7W LED lamp white

Legal

Vimar reserves the right to change at any time and without notice the characteristics of the products reported. Installation should be carried out by qualified staff in compliance with the current regulations regarding the installation of electrical equipment in the country where the products are installed. For the terms of use of the information on the product info sheet see [Conditions of Use](#).