



EIKON: 2P NO 16A push button +key grey

20086

Wiring devices / Traditional wiring devices / EIKON / Devices

2P NO 16A push button +key grey

2P NO 16 A 250 V~ key-operated push button, key removable in OFF position only, grey

Product Status

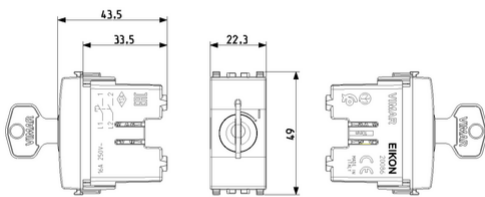
3 - Active

Minimum order quantity

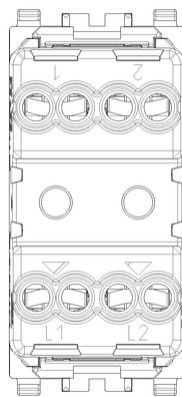
10 NR



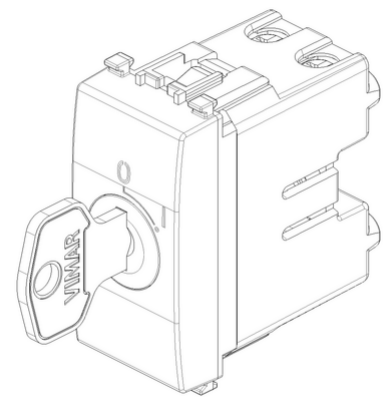
Drawings



Space view



Backside view



3D View

Certifications

- 00. CE Marking - EU
- 01. IMQ - Italy ([download](#))
- 14. TSE - Turkey
- 20. IQC - Argentina
- 31. TISI - Thailand
- 37. Marking - Morocco
- 96. Electrotechnical expert ([download](#))
- 99. WEEE Directive ([download](#))

Technical data

Class group: Domestic switching devices

Class: Push button

Assembly arrangement: Modular device for domestic switching devices

Model: Other

Operating method: Push button

Number of rockers: 0

Number of modules (module system): 100

Number of poles: 2

Nominal voltage: 250 V

Rated current: 16,00 A

With lighting: No

Monitoring contact: No

Mounting method: Built-in

Type of fastening: Engage (snap)

Material: Plastic

Material quality: Thermoplastic

Halogen free: Yes

Surface protection: Untreated

Surface finishing: Matt

Colour: Grey

RAL-number (similar): 7024

Transparent: No

Label space/information surface: Yes

Suitable for degree of protection (IP): IP40

Device width: 22,30 mm

Device height: 49,00 mm

Device depth: 43,50 mm

Packaging



8 007352 253445

8007352253445

Qtà 1 NR

Dim 5.1x2.8x5.3 [cm]

Weight 53.93 [g]



8 007352 253452

8007352253452

Qtà 10 NR

Dim 14.4x11.6x6 [cm]

Weight 586.2 [g]

Legal

Vimar reserves the right to change at any time and without notice the characteristics of the products reported. Installation should be carried out by qualified staff in compliance with the current regulations regarding the installation of electrical equipment in the country where the products are installed. For the terms of use of the information on the product info sheet see [Conditions of Use](#).