



EIKON: Axial 1P 16AX 1-way switch grey

20101

Wiring devices / Traditional wiring devices / EIKON / Devices

Axial 1P 16AX 1-way switch grey

Axial 1P 16 AX 250 V~ 1-way switch, lightable, replaceable button, grey. Max 200 W for self-ballasted lamps (IEC 60669-1:2017)

Product Status

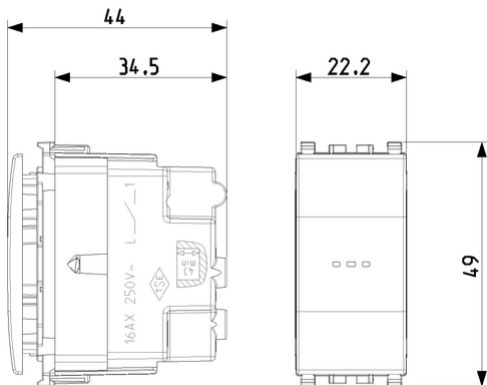
3 - Active

Minimum order quantity

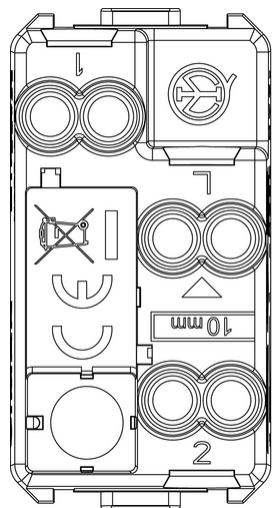
20 NR



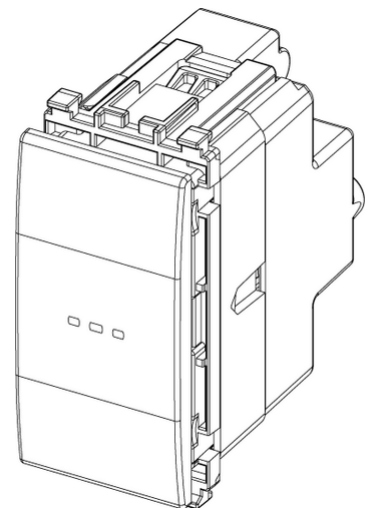
Drawings



Space view



Backside view



3D View

Certifications

- 00. CE Marking - EU
- 01. IMQ - Italy ([download](#))
- 14. TSE - Turkey ([download](#))
- 15. CCC - China ([download](#))
- 20. IQC - Argentina
- 31. TISI - Thailand
- 34. PSE - Japan
- 36. ISI - India
- 37. Marking - Morocco
- 96. Electrotechnical expert ([download](#))
- 99. WEEE Directive ([download](#))

Technical data

Class group: Domestic switching devices

Class: Installation switch

Wiring system: Switch 1-pole

Operating method: Rocker/button

Assembly arrangement: Modular device for domestic switching devices

Number of modules (module system): 1

Push button switch: Yes

Number of rockers: 0

Mounting method: Flush-mounted

Type of fastening: Engage (snap)

With mounting plate: No

Material: Plastic

Material quality: Thermoplastic

Halogen free: Yes

Surface protection: Untreated

Surface finishing: Matt

Colour: Grey

RAL-number (similar): 7024

Label space/information surface: Yes

Lighting: Optional

Function lighting: Control and orientation

Type of lighting: LED exchangeable

Suitable for degree of protection (IP): IP40

Nominal voltage: 250 V

Rated current: 16,00 A

Monitoring contact: No

Connection type: Screwed terminal

Washing machine switch: No

Device width: 22,30 mm

Device height: 49,00 mm

Device depth: 44,00 mm

Built-in depth: 34,50 mm

Packaging



8 007352 459762

8007352459762

Qtà 1 NR
Dim 5.1x2.8x5.3 [cm]
Weight 29.3 [g]



8 007352 459779

8007352459779

Qtà 20 NR
Dim 27x11.6x6 [cm]
Weight 657 [g]



8 007352 651265

8007352651265

Qtà 120 NR
Dim 37.5x30x13.5 [cm]
Weight 4,656 [g]

You may also be interested in



00938.A - LED unit 110-250V 0,3Waxialcontrol amber



00938.B - LED unit 110-250V 0,3Waxialcontrol blue



00938.G - LED unit 110-250V 0,3Waxialcontrol green



00938.R - LED unit 110-250V 0,3Waxialcontrol red



00938.W - LED unit 110-250V 0,3Waxialcontrol white

Legal

Vimar reserves the right to change at any time and without notice the characteristics of the products reported. Installation should be carried out by qualified staff in compliance with the current regulations regarding the installation of electrical equipment in the country where the products are installed. For the terms of use of the information on the product info sheet see [Condizioni di utilizzo](#).