



EIKON: Axial 1P NO 10A push button Next

20108.N

Wiring devices / Traditional wiring devices / EIKON / Devices

Axial 1P NO 10A push button Next

Axial 1P NO 10 A 250 V~ push button, lightable, replaceable button, Next

Product Status

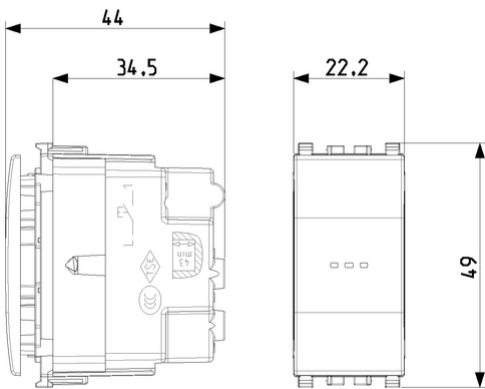
3 - Active

Minimum order quantity

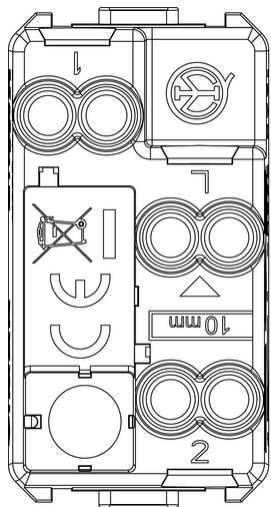
20 NR



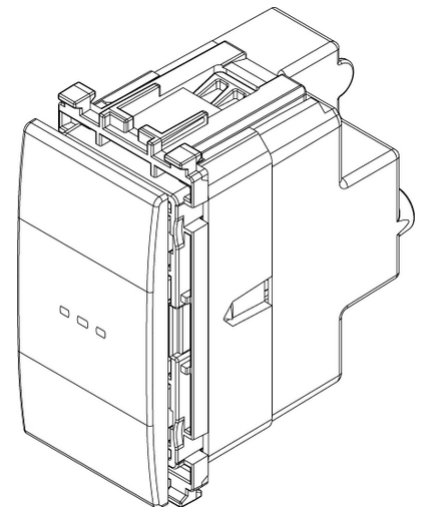
Drawings



Space view



Backside view



3D View

Certifications

- 00. CE Marking - EU
- 01. IMQ - Italy ([download](#))
- 14. TSE - Turkey
- 15. CCC - China ([download](#))
- 20. IQC - Argentina
- 31. TISI - Thailand
- 36. ISI - India
- 37. Marking - Morocco
- 96. Electrotechnical expert ([download](#))
- 99. WEEE Directive ([download](#))

Technical data

Class group: Domestic switching devices

Class: Push button

Assembly arrangement: Modular device for domestic switching devices

Model: Single push button

Operating method: Push button

Number of rockers: 1

Number of modules (module system): 100

Number of poles: 1

Nominal voltage: 250 V

Rated current: 10,00 A

With lighting: Yes

Monitoring contact: No

Mounting method: Built-in

Type of fastening: Engage (snap)

Material: Plastic

Material quality: Thermoplastic

Halogen free: Yes

Surface protection: Lacquered

Surface finishing: Matt

Colour: Silver

RAL-number (similar): 9022

Transparent: No

Label space/information surface: Yes

Suitable for degree of protection (IP): IP40

Device width: 22,20 mm

Device height: 49,00 mm

Device depth: 44,00 mm

Packaging



8 007352 460102

8007352460102

Qtà 1 NR
Dim 5.1x2.8x5.3 [cm]
Weight 28.9 [g]



8 007352 460119

8007352460119

Qtà 20 NR
Dim 27x11.6x6 [cm]
Weight 649.7 [g]



8 007352 651302

8007352651302

Qtà 120 NR
Dim 37.5x30x13.5 [cm]
Weight 4,248 [g]

You may also be interested in



00938.A - LED unit 110-250V 0,3Waxialcontrol amber



00938.B - LED unit 110-250V 0,3Waxialcontrol blue



00938.G - LED unit 110-250V 0,3Waxialcontrol green



00938.R - LED unit 110-250V 0,3Waxialcontrol red



00938.W - LED unit 110-250V 0,3Waxialcontrol white

Legal

Vimar reserves the right to change at any time and without notice the characteristics of the products reported. Installation should be carried out by qualified staff in compliance with the current regulations regarding the installation of electrical equipment in the country where the products are installed. For the terms of use of the information on the product info sheet see [Conditions of Use](#).