



## EIKON: Axial button 1M key symbol white

### 20131.P.B

Wiring devices / Traditional wiring devices / EIKON / Buttons

### Axial button 1M key symbol white

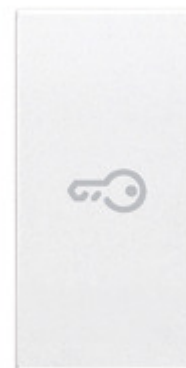
Interchangeable 1-module button for axial switches, lightable key symbol, white

### Product Status

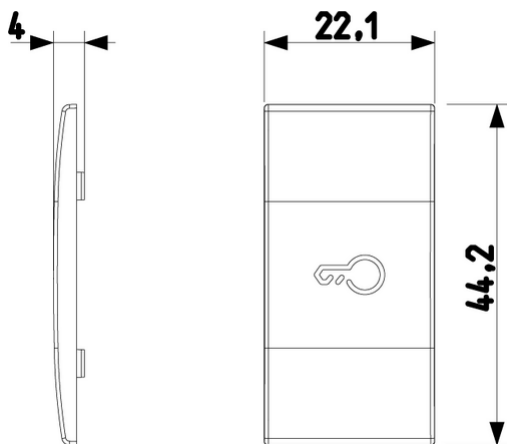
3 - Active

### Minimum order quantity

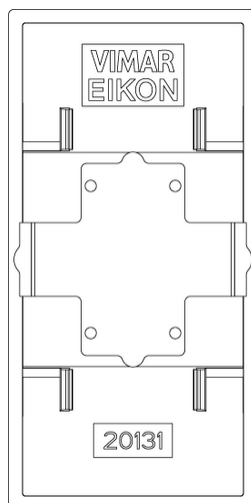
5 NR



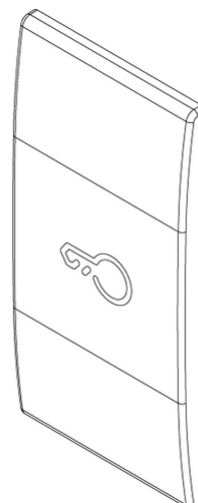
## Drawings



Space view



Backside view



3D View

## Certifications

- 96. Electrotechnical expert ([download](#))

## Technical data

**Class group:** Domestic switching devices

**Class:** Control element/cover plate for domestic switching devices

**Model:** One-part button

**Imprint/indication:** Symbol "key/door"

**Utilization:** Switch/push button

**Suitable for touch sensor connector for bus system:** No

**Type of fastening:** Clamp mounting

**Monitoring window/light outlet:** Yes

**Material:** Plastic

**Material quality:** Thermoplastic

**Halogen free:** Yes

**Surface protection:** Untreated

**Surface finishing:** Matt

**Colour:** White

**RAL-number (similar):** 9016

**With label area:** No

**With exchangeable lens/symbol:** No

**Suitable for degree of protection (IP):** IP40

**Width:** 22,10 mm

**Height:** 44,20 mm

**Depth:** 4,00 mm

## Packaging



8007352460546

**Qtà** 1 NR  
**Dim** 2.2x4.4x0.4 [cm]  
**Weight** 2.04 [g]



8007352460553

**Qtà** 5 NR  
**Dim** 6.6x4.4x0.8 [cm]  
**Weight** 10.2 [g]



8007352460560

**Qtà** 25 NR  
**Dim** 14.2x6.7x5.9 [cm]  
**Weight** 81.1 [g]

## Legal

Vimar reserves the right to change at any time and without notice the characteristics of the products reported. Installation should be carried out by qualified staff in compliance with the current regulations regarding the installation of electrical equipment in the country where the products are installed. For the terms of use of the information on the product info sheet see [Conditions of Use](#).