



EIKON: IR relay-receiver 120V grey

20172.120

Wiring devices / Traditional wiring devices / EIKON / Devices

IR relay-receiver 120V grey

Infrared receiver, NO 6 A 120 V~ relay output, control with built-in push button, 01849 remote control or from peripheral NO push buttons, mono-or-bistable mode, visible in darkness, supply voltage 120 V~ 50-60 Hz, grey



Product Status

2 - Will be discontinued

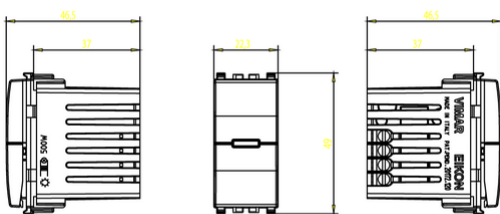
Minimum order quantity

5 NR

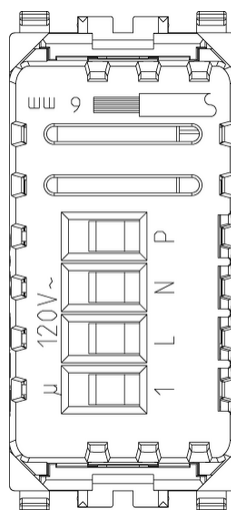
Sheets, Manuals, Documentation

- [Multilanguage instructions sheet \(654 kb\)](#)

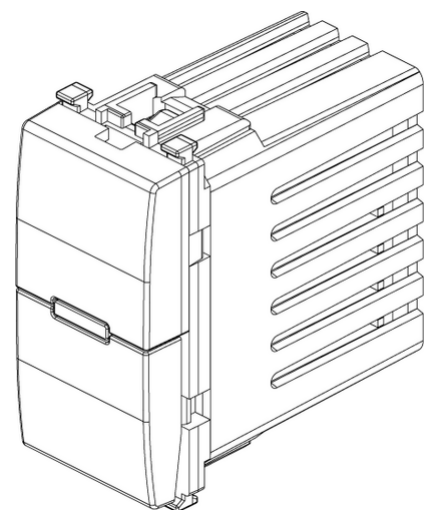
Drawings



Space view



Backside view



3D View

Certifications

- **00. CE Marking - EU**
- **37. Marking - Morocco**
- **99. WEEE Directive ([download](#))**

Technical data

Class group: Domestic switching devices

Class: Electronic insert for domestic switching devices

Model: Other

Assembly arrangement: Modular device for domestic switching devices

Number of modules (module system): 1

Radio-controlled: No

Mounting method: Flush-mounted

Type of fastening: Engage (snap)

Material: Plastic

Material quality: Thermoplastic

Surface protection: Untreated

Surface finishing: Matt

Colour: Grey

RAL-number (similar): 7024

Transparent: No

Packaging



8 007352 279148

8007352279148

Qtà 1 NR

Dim 5.1x4.3x5.3 [cm]

Weight 51.07 [g]



8 007352 279155

8007352279155

Qtà 5 NR

Dim 14.4x11.6x6 [cm]

Weight 305.53 [g]

Legal

Vimar reserves the right to change at any time and without notice the characteristics of the products reported. Installation should be carried out by qualified staff in compliance with the current regulations regarding the installation of electrical equipment in the country where the products are installed. For the terms of use of the information on the product info sheet see [Conditions of Use](#).