



## EIKON: Quid - Rolling shutters 2-way switch whi

### 20196.B

Wiring devices / Traditional wiring devices / EIKON / Devices

### Quid - Rolling shutters 2-way switch whi

Quid electronic switch for centralised operation of roller shutter with slat orientation with relay outputs for  $\cos\phi$  0.6 motor 2 A 220-240 V~ 50/60 Hz, position saving, white



### Product Status

3 - Active

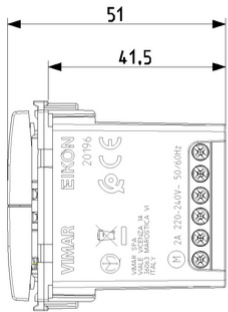
### Minimum order quantity

10 NR

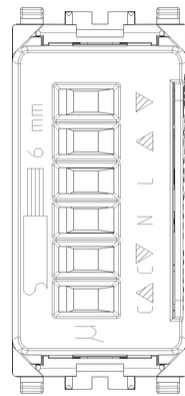
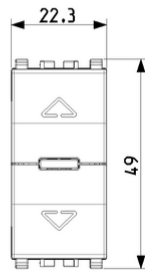
## Sheets, Manuals, Documentation

- [Light Multilanguage instructions sheet \(1184 kb\)](#)
- [Foglio istruzioni Full \(1011 kb\)](#)
- [Feuille d'instructions Full \(1012 kb\)](#)
- [Hoja de instrucciones Full \(1011 kb\)](#)
- [Full instructions sheet \(1010 kb\)](#)
- [Φυλλάδιο οδηγιών Full \(1024 kb\)](#)
- [Anweisungsblatt Full \(1012 kb\)](#)
- [تاداشر رالاء قرو Full \(1066 kb\)](#)

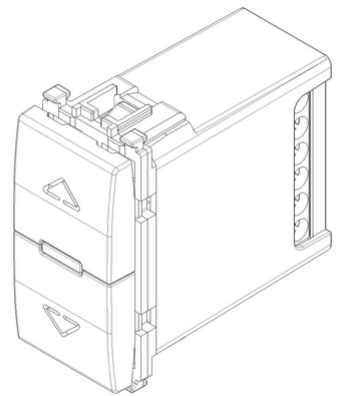
## Drawings



Space view



Backside view



3D View

## Certifications

- 00. CE Marking - EU
- 01. IMQ - Italy
- 37. Marking - Morocco
- 99. WEEE Directive ([download](#))

## Technical data

**Class group:** Domestic switching devices

**Class:** Push button

**Assembly arrangement:** Modular device for domestic switching devices

**Model:** Group push button

**Operating method:** Push button

**Number of rockers:** 1

**Number of modules (module system):** 100

**Number of poles:** 2

**Rated current:** 5,00 A

**With lighting:** Yes

**Monitoring contact:** No

**Mounting method:** Built-in

**Type of fastening:** Engage (snap)

**Material:** Plastic

**Material quality:** Thermoplastic

**Surface protection:** Untreated

**Surface finishing:** Matt

**Colour:** White

**RAL-number (similar):** 9016

**Transparent:** No

**Label space/information surface:** Yes

**Device width:** 22,30 mm

**Device height:** 49,00 mm

**Device depth:** 51,00 mm

## Packaging



8 007352 623170

8007352623170

**Qtà** 1 NR  
**Dim** 5.1x4.3x5.3 [cm]  
**Weight** 45.4 [g]



8 007352 623187

8007352623187

**Qtà** 10 NR  
**Dim** 26.9x11.6x4.9 [cm]  
**Weight** 475 [g]



8 007352 623712

8007352623712

**Qtà** 200 NR  
**Dim** 47.5x27x29 [cm]  
**Weight** 9,619 [g]

## You may also be interested in



03992 - Quid - Step relay module 10A+reset



03997 - Quid rolling shutters module

## Legal

Vimar reserves the right to change at any time and without notice the characteristics of the products reported. Installation should be carried out by qualified staff in compliance with the current regulations regarding the installation of electrical equipment in the country where the products are installed. For the terms of use of the information on the product info sheet see [Conditions of Use](#).