



EIKON: Quid -Rolling shutters 2-way switch grey

20196

Wiring devices / Traditional wiring devices / EIKON / Devices

Quid -Rolling shutters 2-way switch grey

Quid electronic switch for centralised operation of roller shutter with slat orientation with relay outputs for $\cos\phi$ 0.6 motor 2 A 220-240 V~ 50/60 Hz, position saving, grey



Product Status

3 - Active

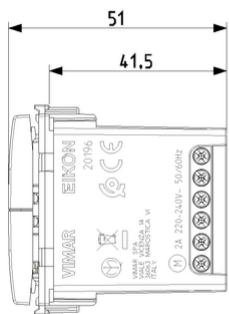
Minimum order quantity

10 NR

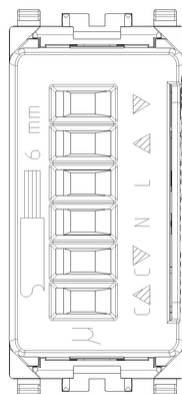
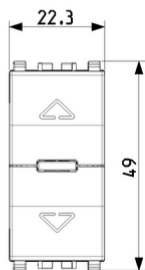
Sheets, Manuals, Documentation

- [Light Multilanguage instructions sheet \(1184 kb\)](#)
- [Foglio istruzioni Full \(1011 kb\)](#)
- [Feuille d'instructions Full \(1012 kb\)](#)
- [Hoja de instrucciones Full \(1011 kb\)](#)
- [Full instructions sheet \(1010 kb\)](#)
- [Φυλλάδιο οδηγιών Full \(1024 kb\)](#)
- [Anweisungsblatt Full \(1012 kb\)](#)
- [تاداش رإالا ةقرو Full \(1066 kb\)](#)

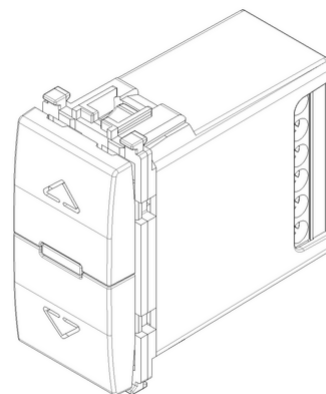
Drawings



Space view



Backside view



3D View

Certifications

- 00. CE Marking - EU
- 01. IMQ - Italy
- 37. Marking - Morocco
- 99. WEEE Directive ([download](#))

Technical data

Class group: Domestic switching devices

Class: Push button

Assembly arrangement: Modular device for domestic switching devices

Model: Group push button

Operating method: Push button

Number of rockers: 1

Number of modules (module system): 100

Number of poles: 2

Rated current: 5,00 A

With lighting: Yes

Monitoring contact: No

Mounting method: Built-in

Type of fastening: Engage (snap)

Material: Plastic

Material quality: Thermoplastic

Surface protection: Untreated

Surface finishing: Matt

Colour: Grey

RAL-number (similar): 7024

Transparent: No

Label space/information surface: Yes

Device height: 49,00 mm

Device depth: 51,00 mm

Packaging



8 007352 623132

8007352623132

Qtà 1 NR

Dim 5.1x4.3x5.3 [cm]

Weight 45.4 [g]



8 007352 623149

8007352623149

Qtà 10 NR

Dim 26.9x11.6x4.9 [cm]

Weight 475 [g]



8 007352 623705

8007352623705

Qtà 200 NR

Dim 47.5x27x29 [cm]

Weight 9,620 [g]

You may also be interested in



03992 - Quid - Step relay module 10A+reset



03997 - Quid rolling shutters module

Legal

Vimar reserves the right to change at any time and without notice the characteristics of the products reported. Installation should be carried out by qualified staff in compliance with the current regulations regarding the installation of electrical equipment in the country where the products are installed. For the terms of use of the information on the product info sheet see [Conditions of Use](#).