



EIKON: 2P+E 16A P30 outlet Next

20209.N

Wiring devices / Traditional wiring devices / EIKON / Devices

2P+E 16A P30 outlet Next

2P+E 16 A 250 V~ SICURY socket outlet, Italian standard P30 (lateral and central earth contacts), Next - 2 modules

Product Status

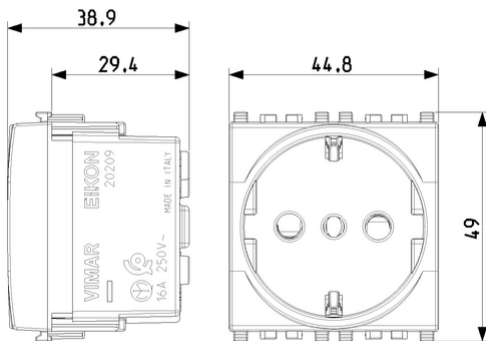
3 - Active

Minimum order quantity

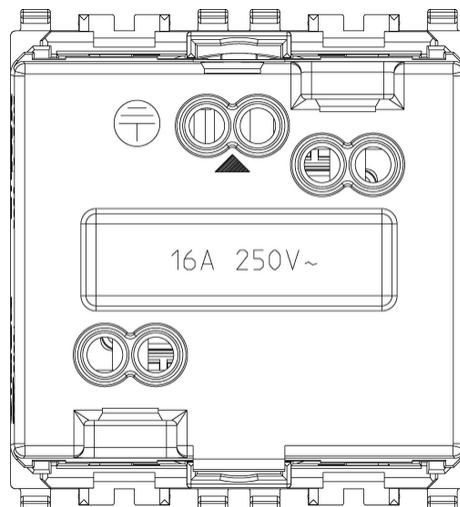
20 NR



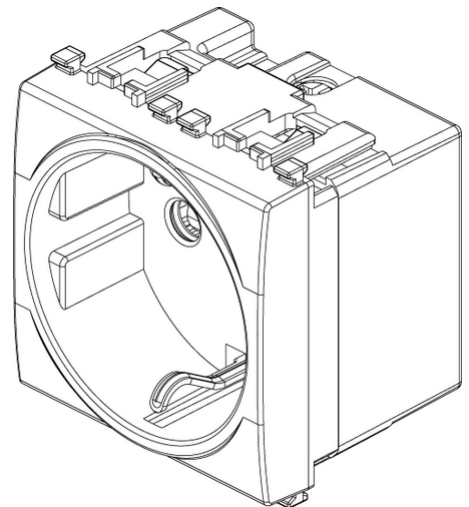
Drawings



Space view



Backside view



3D View

Certifications

- 00. CE Marking - EU
- 01. IMQ - Italy ([download](#))
- 37. Marking - Morocco
- 99. WEEE Directive ([download](#))

Technical data

Class group: Domestic switching devices

Class: Socket outlet

Model: Italian type P30

Number of socket outlets: 1

Number of modules (module system): 2

Number of socket outlets switchable: 0

Imprint/indication: None

Connection type: Screwed terminal

With hinged lid: No

With enhanced contact protection: Yes

Label space/information surface: Yes

Colour: Silver

RAL-number (similar): 9022

Metallic colour: No

Transparent: No

Lockable: No

Eject-mechanism: No

Insulated mounting: No

With function lighting: No

Overvoltage protection: No

Fault current protection: No

Mounting method: Flush-mounted

Material: Plastic

Material quality: Thermoplastic

Halogen free: Yes

Surface protection: Lacquered

Surface finishing: Matt

With loop through function: No

With on/off switch: No

Rotated central insert: No

Nominal current: 16 A

Nominal voltage: 250 V

Frequency: 50,00 - 60,00 HZ

Suitable for degree of protection (IP): IP20

Impact strength: Other

Device width: 44,80 mm

Device height: 49,00 mm

Device depth: 38,90 mm

Packaging



8 007352 285859

8007352285859

Qtà 1 NR

Dim 5.1x4.3x5.3 [cm]

Weight 48 [g]



8 007352 285866

8007352285866

Qtà 20 NR

Dim 26.9x11.6x9 [cm]

Weight 1,043.6 [g]



8 007352 640665

8007352640665

Qtà 240 NR

Dim 38x28.5x35.5 [cm]

Weight 13,063.2 [g]



8 007352 750821

8007352750821

Qtà 3,840 NR

Dim 120x80x105 [cm]

Weight 217,536 [g]

Legal

Vimar reserves the right to change at any time and without notice the characteristics of the products reported. Installation should be carried out by qualified staff in compliance with the current regulations regarding the installation of electrical equipment in the country where the products are installed. For the terms of use of the information on the product info sheet see [Conditions of Use](#).