



EIKON: 2P+E 16A universal outlet white

20210.B

Wiring devices / Traditional wiring devices / EIKON / Devices

2P+E 16A universal outlet white

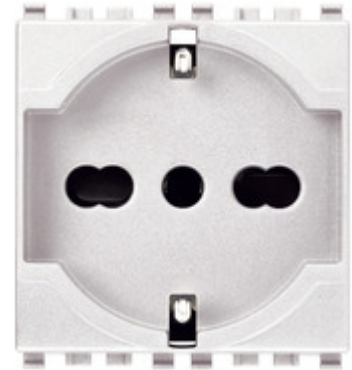
2P+E 16 A 250 V~ SICURY socket outlet, universal, P40 Italian standard, white - 2 modules

Product Status

3 - Active

Minimum order quantity

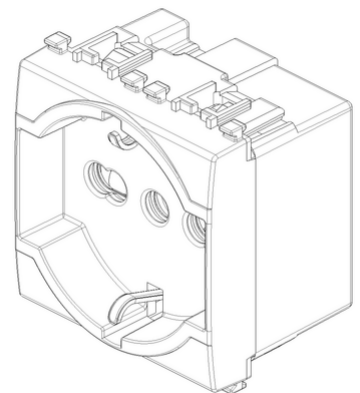
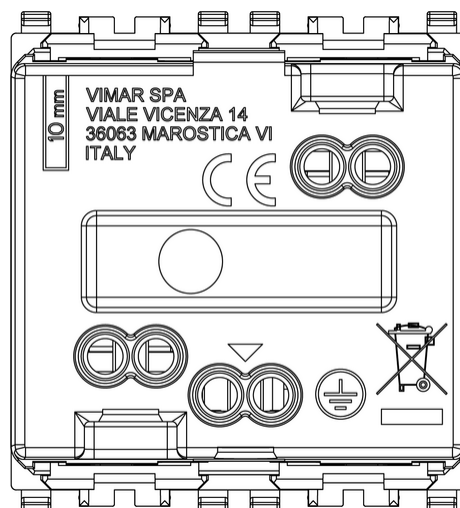
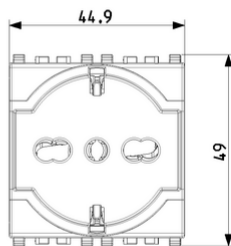
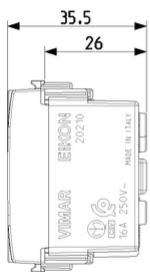
20 NR



Gallery



Drawings



Space view

Backside view

3D View

Certifications

- **00. CE Marking - EU**
- **03. CSv-IMQ - Italy ([download](#))**
- **37. Marking - Morocco**
- **50. Product Environm. Profile**
- **99. WEEE Directive ([download](#))**

Technical data

Class group: Domestic switching devices

Class: Socket outlet

Model: Other

Number of socket outlets: 1

Number of modules (module system): 2

Number of socket outlets switchable: 0

Imprint/indication: None

Connection type: Screwed terminal

With hinged lid: No

With enhanced contact protection: Yes

Label space/information surface: Yes

Colour: White

RAL-number (similar): 9016

Metallic colour: No

Transparent: No

Lockable: No

Eject-mechanism: No

Insulated mounting: No

With function lighting: No

Overvoltage protection: No

Fault current protection: No

Mounting method: Flush-mounted

Material: Plastic

Material quality: Thermoplastic

Halogen free: Yes

Surface protection: Untreated

Surface finishing: Matt

With loop through function: No

With on/off switch: No

Rotated central insert: No

Nominal current: 16 A

Nominal voltage: 250 V

Frequency: 50,00 - 60,00 HZ

Suitable for degree of protection (IP): IP20

Impact strength: Other

Device width: 44,80 mm

Device height: 49,00 mm

Device depth: 26,00 mm

Packaging



8 007352 314092

8007352314092

Qtà 1 NR

Dim 5.1x4.3x5.3 [cm]

Weight 47.6 [g]



8 007352 314108

8007352314108

Qtà 20 NR

Dim 26.9x11.6x9 [cm]

Weight 1,037.8 [g]



8 007352 352391

8007352352391

Qtà 240 NR

Dim 38x28.5x35.5 [cm]

Weight 12,984 [g]



8 007352 750845

8007352750845

Qtà 3,840 NR

Dim 120x80x105 [cm]

Weight 207,744 [g]

Legal

Vimar reserves the right to change at any time and without notice the characteristics of the products reported. Installation should be carried out by qualified staff in compliance with the current regulations regarding the installation of electrical equipment in the country where the products are installed. For the terms of use of the information on the product info sheet see [Conditions of Use](#).