



EIKON: 2P+E 16A Universal+USB-C outlet Next

20210.USB.N

Wiring devices / Traditional wiring devices / EIKON / Devices

2P+E 16A Universal+USB-C outlet Next

SICURY 2P+E 16 A 250 V~ universal socket outlet, Italian standard P40, USB 15 W 3 A 5 V power supply unit with 1 type C output for electronic devices, Next - 2 modules

- Device on 2 modules capable of simultaneously charging 2 devices, thanks to the universal socket outlet and the type C 3A USB socket outlet



Product Status

3 - Active

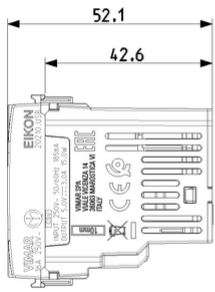
Minimum order quantity

1 NR

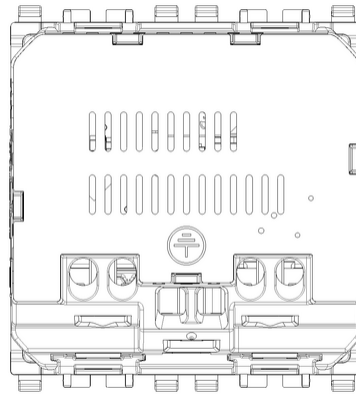
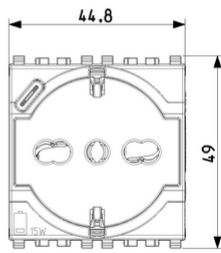
Sheets, Manuals, Documentation

- [Light multilanguage instructions sheet \(496 kb\)](#)
- [Full Multilanguage instructions sheet \(819 kb\)](#)

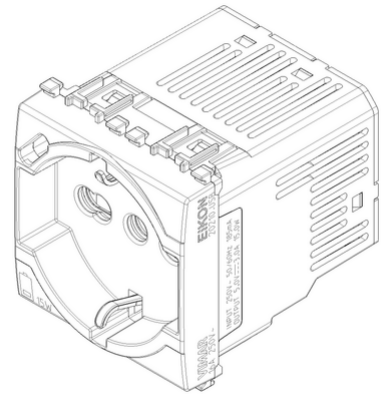
Drawings



Space view



Backside view



3D View

Certifications

- 00. CE Marking - EU
- 01. IMQ - Italy
- 37. Marking - Morocco
- 96. Electrotechnical expert ([download](#))
- 99. WEEE Directive ([download](#))

Technical data

Class group: Domestic switching devices

Class: Socket outlet

Model: Other

Number of active contacts (round): 0

Number of active contacts (flat): 0

With signal lamp: No

Number of socket outlets: 1

Number of modules (module system): 2

Number of socket outlets switchable: 0

Number of phases: 2

Imprint/indication: Other

Connection type: Screwed terminal

With hinged lid: No

With enhanced contact protection: Yes

Label space/information surface: No

Colour: Silver

RAL-number (similar): 9022

Metallic colour: No

Transparent: No

Lockable: No

Eject-mechanism: No

Insulated mounting: Yes

With function lighting: No

With orientation lighting: No

Overvoltage protection: No

Fault current protection: No

With miniature fuse: No

Special power supply: None

Mounting method: Flush-mounted

Type of fastening: Snap mounting (engagement)

Material: Plastic

Material quality: Thermoplastic

Halogen free: Yes

Surface protection: Lacquered

Surface finishing: Matt

Anti-bacterial treatment: No

With loop through function: Yes

With on/off switch: No

Rotated central insert: No

Nominal current: 16 A

Nominal voltage: 250 V

Frequency: 50,00 - 60,00 HZ

Suitable for degree of protection (IP): IP20

Device width: 44,80 mm

Device height: 49,00 mm

Device depth: 52,00 mm

Min. depth of built-in installation box: 48,00 mm

Compatible with Apple HomeKit: No

Compatible with Amazon Alexa: No

Compatible with Google Assistant: No

IFTTT support available: No

For heavy conditions according to VDE: No

Packaging



8007352707023

Qtà 1 NR

Dim 6x5.4x5.2 [cm]

Weight 80 [g]



8007352769496

Qtà 60 NR

Dim 37.5x30x13.5
[cm]

Weight 5,160 [g]

Legal

Vimar reserves the right to change at any time and without notice the characteristics of the products reported. Installation should be carried out by qualified staff in compliance with the current regulations regarding the installation of electrical equipment in the country where the products are installed. For the terms of use of the information on the product info sheet see [Conditions of Use](#).