



EIKON: 2P+E 16A universal outlet grey

20210

Wiring devices / Traditional wiring devices / EIKON / Devices

2P+E 16A universal outlet grey

2P+E 16 A 250 V~ SICURY socket outlet, universal, P40 Italian standard, grey - 2 modules

Product Status

3 - Active

Minimum order quantity

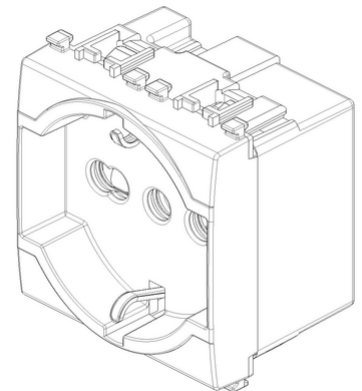
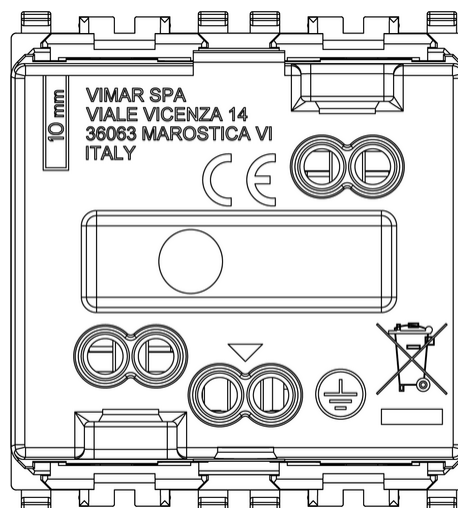
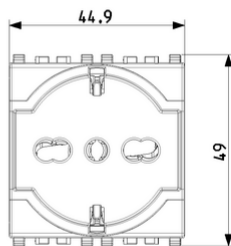
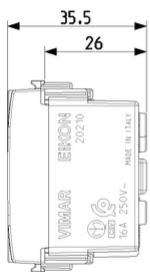
20 NR



Gallery



Drawings



Space view

Backside view

3D View

Certifications

- **00. CE Marking - EU**
- **03. CSv-IMQ - Italy ([download](#))**
- **37. Marking - Morocco**
- **50. Product Environm. Profile**
- **99. WEEE Directive ([download](#))**

Technical data

Class group: Domestic switching devices

Class: Socket outlet

Model: Other

Number of socket outlets: 1

Number of modules (module system): 2

Number of socket outlets switchable: 0

Imprint/indication: None

Connection type: Screwed terminal

With hinged lid: No

With enhanced contact protection: Yes

Label space/information surface: Yes

Colour: Grey

RAL-number (similar): 7024

Metallic colour: No

Transparent: No

Lockable: No

Eject-mechanism: No

Insulated mounting: No

With function lighting: No

Overvoltage protection: No

Fault current protection: No

Mounting method: Flush-mounted

Material: Plastic

Material quality: Thermoplastic

Halogen free: Yes

Surface protection: Untreated

Surface finishing: Matt

With loop through function: No

With on/off switch: No

Rotated central insert: No

Nominal current: 16 A

Nominal voltage: 250 V

Frequency: 50,00 - 60,00 HZ

Suitable for degree of protection (IP): IP20

Impact strength: Other

Device width: 44,80 mm

Device height: 49,00 mm

Device depth: 26,00 mm

Packaging



8007352249592

Qtà 1 NR
Dim 5.1x4.3x5.3 [cm]
Weight 47.67 [g]



8007352249608

Qtà 20 NR
Dim 26.9x11.6x9 [cm]
Weight 1,033.07 [g]



8007352290563

Qtà 240 NR
Dim 38x28.5x35.5 [cm]
Weight 12,960 [g]



8007352750838

Qtà 3,840 NR
Dim 120x80x105 [cm]
Weight 207,360 [g]

Legal

Vimar reserves the right to change at any time and without notice the characteristics of the products reported. Installation should be carried out by qualified staff in compliance with the current regulations regarding the installation of electrical equipment in the country where the products are installed. For the terms of use of the information on the product info sheet see [Conditions of Use](#).