



## EIKON: Flat 2P+E16A FR SICURY outlet screwless

**20212.FL.FX**

Wiring devices / Traditional wiring devices / EIKON / Devices

**Flat 2P+E16A FR SICURY outlet screwless**

### Product Status

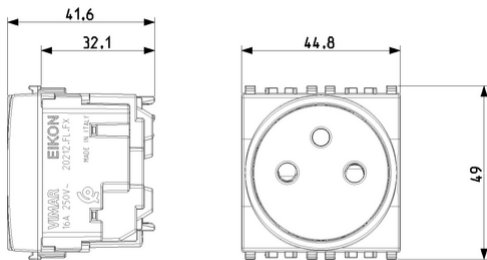
3 - Active

### Minimum order quantity

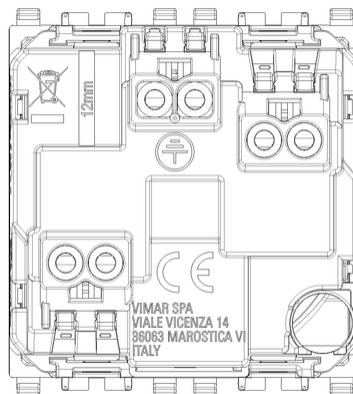
20 NR



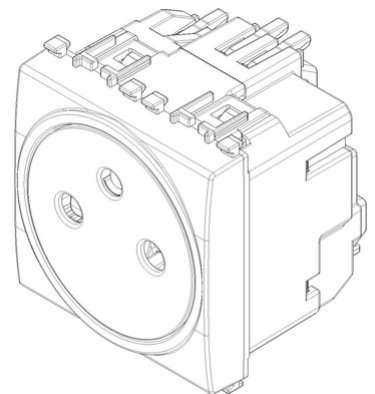
## Drawings



Space view



Backside view



3D View

## Certifications

- 00. CE Marking - EU
- 37. Marking - Morocco
- 99. WEEE Directive ([download](#))

## Technical data

**Class group:** Domestic switching devices

**Class:** Socket outlet

**Model:** Earthing pin

**Concurrently switching neutral conductor:** No

**Protective contact:** Round

**Number of active contacts (round):** 2

**Number of active contacts (flat):** 0

**Number of active contacts (square):** 0

**With signal lamp:** No

**Number of ports USB-A:** 0

**Number of ports USB-C:** 0

**Max. current rating of USB power supply:** 0 A

**Number of socket outlets:** 1

**Number of modules (module system):** 2

**Number of socket outlets switchable:** 0

**Number of phases:** 1

**Imprint/indication:** None

**Connection type:** Push-in clamp

**With hinged lid:** No

**With enhanced contact protection:** Yes

**Label space/information surface:** No

**Colour:** Grey

**RAL-number (similar):** 7024

**Metallic colour:** No

**Transparent:** No

**Lockable:** No

**Eject-mechanism:** No

**Insulated mounting:** Yes

**With function lighting:** No  
**With orientation lighting:** No  
**Overvoltage protection:** No  
**Fault current protection:** No  
**With miniature fuse:** No

**Special power supply:** None  
**Mounting method:** Flush-mounted  
**Type of fastening:** Snap mounting (engagement)  
**Material:** Plastic  
**Material quality:** Thermoplastic  
**Halogen free:** Yes  
**Surface protection:** Untreated  
**Surface finishing:** Matt  
**Anti-bacterial treatment:** No  
**With loop through function:** Yes  
**Number of loop throughs:** 1  
**With on/off switch:** No  
**Colour of switch operator:** Other  
**Rotated central insert:** No  
**Nominal current:** 16 A  
**Nominal voltage:** 250 V  
**Frequency:** 50,00 - 60,00 HZ  
**Rated fault current:** 0 mA  
**Suitable for degree of protection (IP):** IP20  
**Impact strength:** Other  
**Device width:** 44,70 mm  
**Device height:** 49,00 mm  
**Device depth:** 41,50 mm  
**Min. depth of built-in installation box:** 37,00 mm  
**Compatible with Apple HomeKit:** No  
**Compatible with Amazon Alexa:** No  
**Compatible with Google Assistant:** No  
**IFTTT support available:** No

**With Wi-Fi signal repeater:** No

**With built-in bluetooth speaker:** No

**For heavy conditions according to VDE:** No

**Compliant with UK Building Regulations Part**

**M:** No

## Packaging



8 007352 754874

8007352754874

**Qtà** 1 NR

**Dim** 5.1x4.3x5.3 [cm]

**Weight** 50 [g]



8 007352 754881

8007352754881

**Qtà** 20 NR

**Dim** 26.9x11.6x9 [cm]

**Weight** 1,084.6 [g]



8 007352 754898

8007352754898

**Qtà** 240 NR

**Dim** 38x28.5x35.5 [cm]

**Weight** 13,482 [g]

## Legal

Vimar reserves the right to change at any time and without notice the characteristics of the products reported. Installation should be carried out by qualified staff in compliance with the current regulations regarding the installation of electrical equipment in the country where the products are installed. For the terms of use of the information on the product info sheet see [Conditions of Use](#).