



EIKON: 2P+E 5A English switch.socket+pilot Next

20215.L.N

Wiring devices / Traditional wiring devices / EIKON / Devices

2P+E 5A English switch.socket+pilot Next

2P+E 5 A 250 V~ SICURY socket outlet, English standard, 2P 1-way switch, indicator unit, with built-in mounting frame for 3-module British standard installation, Next



Product Status

3 - Active

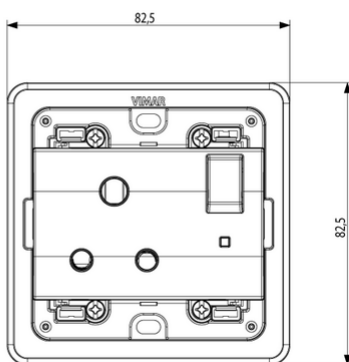
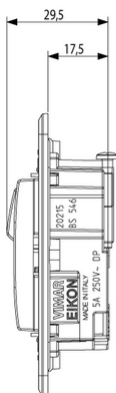
Minimum order quantity

10 NR

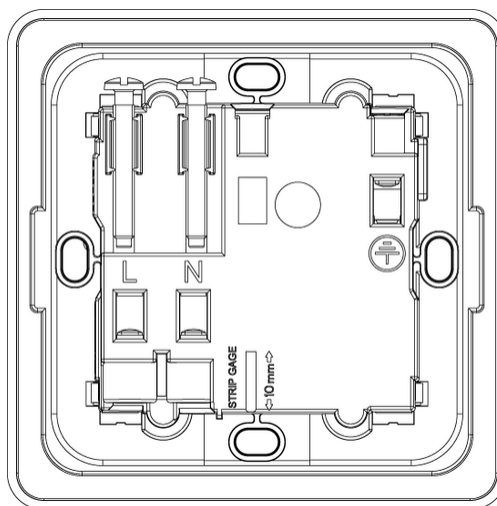
Sheets, Manuals, Documentation

- [Multilanguage instructions sheet \(1370 kb\)](#)

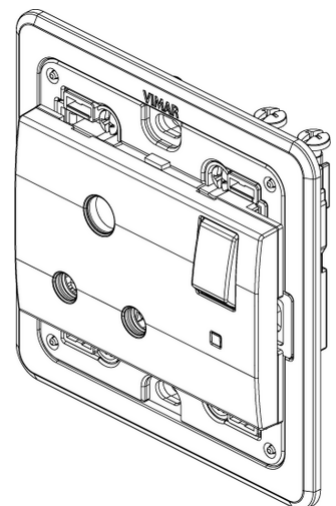
Drawings



Space view



Backside view



3D View

Certifications

- 00. CE Marking - EU
- 08. ASTA - UK ([download](#))
- 30. G-Mark - Gulf Countries ([download](#))
- 37. Marking - Morocco
- 99. WEEE Directive ([download](#))

Technical data

Class group: Domestic switching devices

Class: Socket outlet

Model: British Standard

Number of socket outlets: 2

Number of modules (module system): 2

Number of socket outlets switchable: 1

Imprint/indication: None

Connection type: Screwed terminal

With hinged lid: No

With enhanced contact protection: Yes

Label space/information surface: Yes

Colour: Silver

RAL-number (similar): 9022

Metallic colour: No

Transparent: No

Lockable: No

Eject-mechanism: No

Insulated mounting: No

With function lighting: Yes

With orientation lighting: No

Overvoltage protection: No

Fault current protection: No

With miniature fuse: No

Mounting method: Flush-mounted

Type of fastening: Mounting with screw

Material: Plastic

Material quality: Thermoplastic

Halogen free: Yes

Surface protection: Lacquered

Surface finishing: Matt

With loop through function: No

With on/off switch: Yes

Rotated central insert: No

Nominal current: 5 A

Nominal voltage: 250 V

Frequency: 50,00 - 60,00 HZ

Suitable for degree of protection (IP): IP20

Impact strength: Other

Device width: 82,50 mm

Device height: 82,50 mm

Device depth: 29,50 mm

Packaging



8007352399853

Qtà 1 NR
Dim 8.5x3.9x8.6 [cm]
Weight 102.1 [g]



8007352399860

Qtà 10 NR
Dim 20.7x18.5x9.6 [cm]
Weight 1,120 [g]

Legal

Vimar reserves the right to change at any time and without notice the characteristics of the products reported. Installation should be carried out by qualified staff in compliance with the current regulations regarding the installation of electrical equipment in the country where the products are installed. For the terms of use of the information on the product info sheet see [Conditions of Use](#).