



EIKON: 2P+E 10A Brazilian SICURY outlet white

20264.B

Wiring devices / Traditional wiring devices / EIKON / Devices

2P+E 10A Brazilian SICURY outlet white

2P+E 10 A 250 V~ SICURY socket outlet, Brazilian standard, white

Product Status

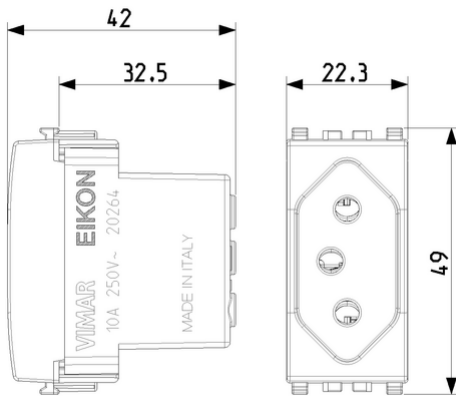
3 - Active

Minimum order quantity

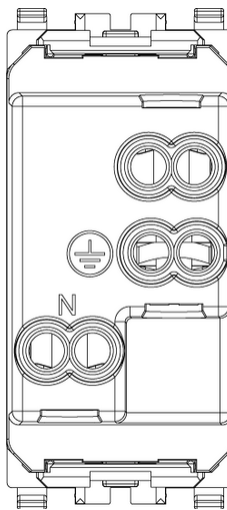
20 NR



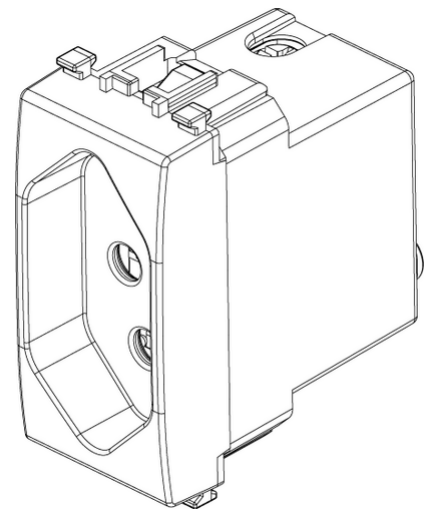
Drawings



Space view



Backside view



3D View

Certifications

• 00. CE Marking - EU

• 37. Marking - Morocco

Technical data

Class group: Domestic switching devices

Class: Socket outlet

Model: Other

Number of socket outlets: 1

Number of modules (module system): 1

Number of socket outlets switchable: 0

Imprint/indication: None

Connection type: Screwed terminal

With hinged lid: No

With enhanced contact protection: Yes

Label space/information surface: Yes

Colour: White

RAL-number (similar): 9016

Metallic colour: No

Transparent: No

Lockable: No

Eject-mechanism: No

Insulated mounting: No

With function lighting: No

Overvoltage protection: No

Fault current protection: No

Mounting method: Flush-mounted

Material: Plastic

Material quality: Thermoplastic

Halogen free: Yes

Surface protection: Untreated

Surface finishing: Matt

With loop through function: No

With on/off switch: No

Rotated central insert: No

Nominal current: 10 A

Nominal voltage: 250 V

Frequency: 50,00 - 60,00 HZ

Suitable for degree of protection (IP): IP20

Impact strength: Other

Device width: 22,30 mm

Device height: 49,00 mm

Device depth: 42,00 mm

Packaging



8 007352 358256

8007352358256

Qtà 1 NR

Dim 5.1x2.8x5.3 [cm]

Weight 29.6 [g]



8 007352 358263

8007352358263

Qtà 20 NR

Dim 27x11.6x6 [cm]

Weight 651.3 [g]

Legal

Vimar reserves the right to change at any time and without notice the characteristics of the products reported. Installation should be carried out by qualified staff in compliance with the current regulations regarding the installation of electrical equipment in the country where the products are installed. For the terms of use of the information on the product info sheet see [Conditions of Use](#).