



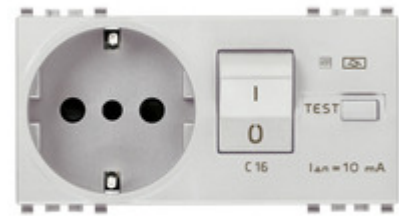
EIKON: 2P+E 16A P30 outlet+C16 RCBO Next

20286.N

Wiring devices / Traditional wiring devices / EIKON / Devices

2P+E 16A P30 outlet+C16 RCBO Next

2P+E 16 A 250 V~ SICURY socket outlet, Italian standard P30 (lateral and central earth contacts), interlocked with 1P+N C 16 residual current breaker with overcurrent protection, supply voltage 230 V~ 50 Hz, $I_{\Delta n}$ 10 mA, breaking capacity 3000 A, Next - 4 modules



Product Status

3 - Active

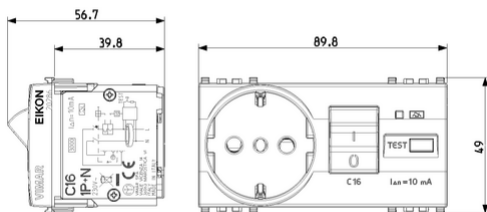
Minimum order quantity

1 NR

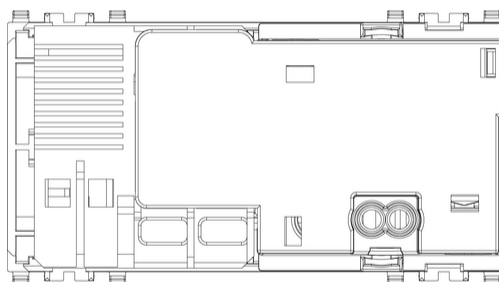
Sheets, Manuals, Documentation

- [Multilanguage instructions sheet \(777 kb\)](#)

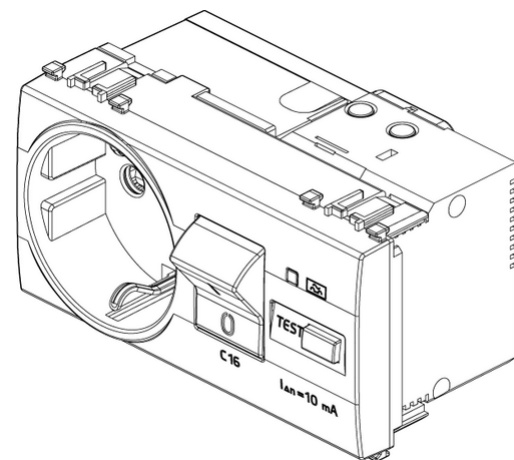
Drawings



Space view



Backside view



3D View

Certifications

- 00. CE Marking - EU
- 01. IMQ - Italy ([download](#))
- 37. Marking - Morocco
- 96. Electrotechnical expert ([download](#))
- 99. WEEE Directive ([download](#))

Technical data

Class group: Domestic switching devices

Class: Socket outlet

Model: Italian type P30

Number of socket outlets: 2

Number of modules (module system): 4

Number of socket outlets switchable: 1

Imprint/indication: None

Connection type: Screwed terminal

With hinged lid: No

With enhanced contact protection: Yes

Label space/information surface: Yes

Colour: Silver

RAL-number (similar): 9022

Metallic colour: No

Transparent: No

Lockable: No

Eject-mechanism: No

Insulated mounting: No

With function lighting: Yes

With orientation lighting: No

Overvoltage protection: No

Fault current protection: Yes

With miniature fuse: No

Mounting method: Flush-mounted

Type of fastening: Snap mounting (engagement)

Material: Plastic

Material quality: Thermoplastic

Surface protection: Lacquered

Surface finishing: Matt

With loop through function: No

With on/off switch: Yes

Rotated central insert: No

Nominal current: 16 A

Nominal voltage: 230 V

Frequency: 50,00 - 50,01 HZ

Rated fault current: 10 mA

Suitable for degree of protection (IP): IP20

Impact strength: Other

Device width: 44,80 mm

Device height: 49,00 mm

Device depth: 56,30 mm

Packaging



8007352284739

Qtà 1 NR

Dim 14.2x6.7x5.9
[cm]

Weight 180.93 [g]

Legal

Vimar reserves the right to change at any time and without notice the characteristics of the products reported. Installation should be carried out by qualified staff in compliance with the current regulations regarding the installation of electrical equipment in the country where the products are installed. For the terms of use of the information on the product info sheet see [Conditions of Use](#).