



EIKON: RJ45 Cat6 Netsafe UTP outlet grey

20339.13

System infrastructure / Netsafe structured wiring / EIKON /
Devices

RJ45 Cat6 Netsafe UTP outlet grey

RJ45 outlet with Netsafe connector, Cat. 6, unshielded, T568A/B
universal wiring, 8 contacts, insulation-piercing terminals without
tool use, grey

Product Status

3 - Active

Minimum order quantity

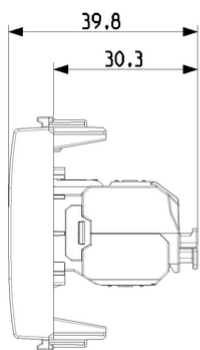
10 NR



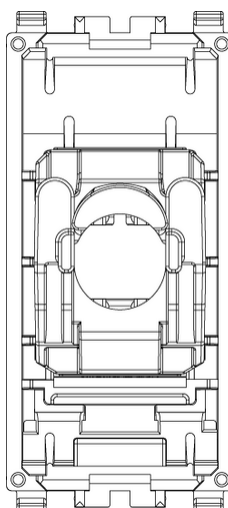
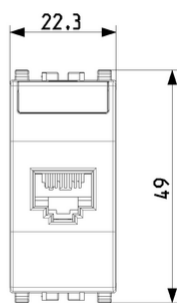
Sheets, Manuals, Documentation

- [Multilanguage instructions sheet \(829 kb\)](#)

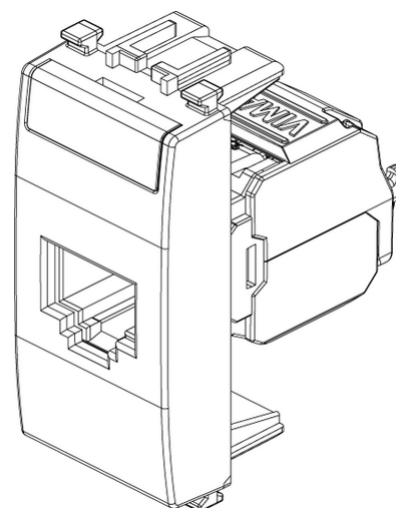
Drawings



Space view



Backside view



3D View

Certifications

- 00. CE Marking - EU
- 24. FORCE Certificate ([download](#))
- 99. WEEE Directive ([download](#))

Technical data

Class group: Installation material for data and telecommunication networks

Class: Modular connector

Model: Bus (jack)

Type of connector: RJ45 8(8)

Screened: No

Category: 6

Connection type: Crimp

Special tool necessary: No

Suitable for round cable: Yes

Suitable for flat cable: Yes

Suitable for litz wire conductor: No

Suitable for solid conductors: No

Colour: Other

Packaging



8 007352 463431
8007352463431

Qtà 1 NR
Dim 5.1x4.3x5.3 [cm]
Weight 19.8 [g]



8 007352 463448
8007352463448

Qtà 10 NR
Dim 26.9x11.6x4.9 [cm]
Weight 279.4 [g]



8 007352 637399
8007352637399

Qtà 200 NR
Dim 47.5x27x29 [cm]
Weight 5,888 [g]

Legal

Vimar reserves the right to change at any time and without notice the characteristics of the products reported. Installation should be carried out by qualified staff in compliance with the current regulations regarding the installation of electrical equipment in the country where the products are installed. For the terms of use of the information on the product info sheet see [Conditions of Use](#).