



EIKON: RJ45 Cat5e Netsafe UTP110 outlet Next

20339.4.N

System infrastructure / Netsafe structured wiring / EIKON /
Devices

RJ45 Cat5e Netsafe UTP110 outlet Next

RJ45 outlet with Netsafe connector, Cat. 5e, unshielded, T568A/B
universal wiring, 8 contacts, 110-type insulation-piercing
terminals, Next



Product Status

3 - Active

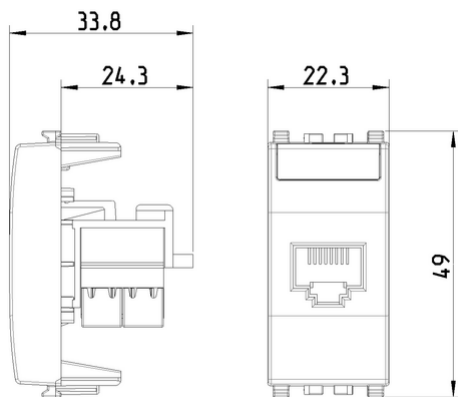
Minimum order quantity

10 NR

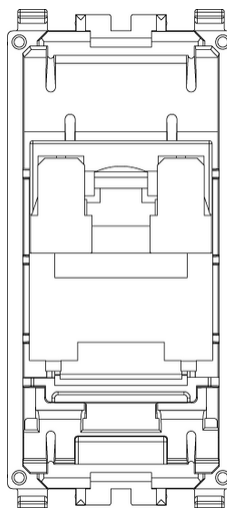
Sheets, Manuals, Documentation

- [Multilanguage instructions sheet \(701 kb\)](#)

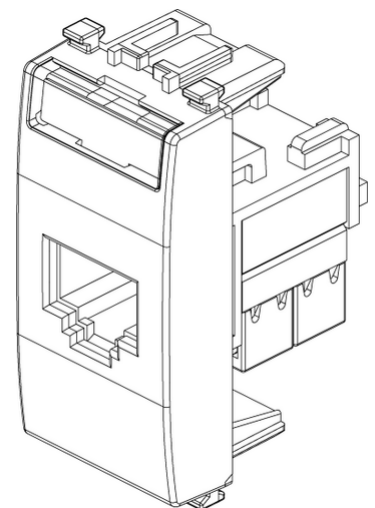
Drawings



Space view



Backside view



3D View

Certifications

• 00. CE Marking - EU

• 99. WEEE Directive ([download](#))

Technical data

Class group: Installation material for data and telecommunication networks

Class: Modular connector

Model: Bus (jack)

Type of connector: RJ45 8(8)

Screened: No

Category: 5E

Connection type: 110

Special tool necessary: Yes

Suitable for round cable: Yes

Suitable for flat cable: No

Suitable for litz wire conductor: No

Suitable for solid conductors: No

Colour: Silver

Packaging



8 007352 289741

8007352289741

Qtà 1 NR

Dim 5.1x4.3x5.3 [cm]

Weight 21.2 [g]



8 007352 289758

8007352289758

Qtà 10 NR

Dim 26.9x11.6x4.9 [cm]

Weight 281.13 [g]

Legal

Vimar reserves the right to change at any time and without notice the characteristics of the products reported. Installation should be carried out by qualified staff in compliance with the current regulations regarding the installation of electrical equipment in the country where the products are installed. For the terms of use of the information on the product info sheet see [Conditions of Use](#).