



EIKON: RJ45 Cat6 Netsafe UTP 110 outlet white

20339.6.B

System infrastructure / Netsafe structured wiring / EIKON /
Devices

RJ45 Cat6 Netsafe UTP 110 outlet white

RJ45 outlet with Netsafe connector, Cat. 6, unshielded, T568A/B
universal wiring, 8 contacts, 110-type insulation-piercing
terminals, white



Product Status

3 - Active

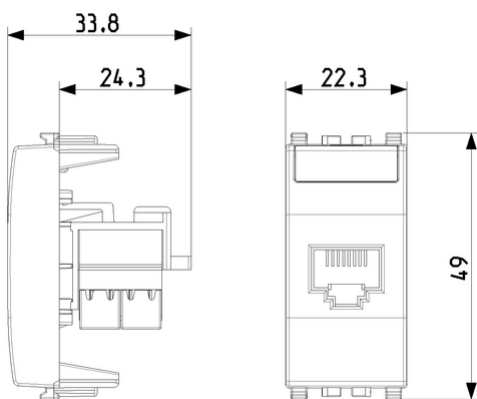
Minimum order quantity

10 NR

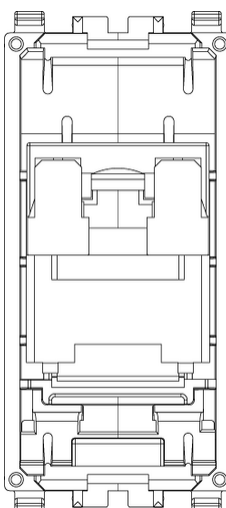
Sheets, Manuals, Documentation

- [Multilanguage instructions sheet \(301 kb\)](#)

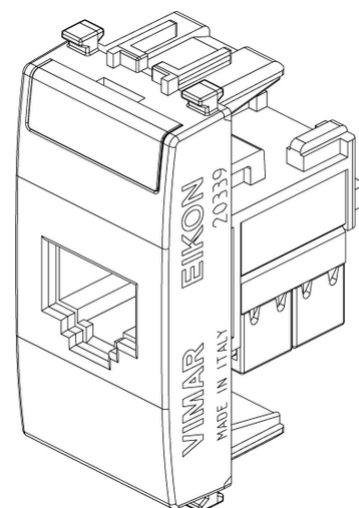
Drawings



Space view



Backside view



3D View

Certifications

• 00. CE Marking - EU

• 99. WEEE Directive ([download](#))

Technical data

Class group: Installation material for data and telecommunication networks

Class: Modular connector

Model: Bus (jack)

Type of connector: RJ45 8(8)

Screened: No

Category: 6

Connection type: 110

Special tool necessary: Yes

Suitable for round cable: Yes

Suitable for flat cable: Yes

Suitable for litz wire conductor: No

Suitable for solid conductors: No

Colour: White

Packaging



8007352313873

Qtà 1 NR

Dim 5.1x4.3x5.3 [cm]

Weight 21.33 [g]



8007352313880

Qtà 10 NR

Dim 26.9x11.6x4.9 [cm]

Weight 279.8 [g]



8007352637580

Qtà 200 NR

Dim 47.5x27x29 [cm]

Weight 5,896 [g]

Legal

Vimar reserves the right to change at any time and without notice the characteristics of the products reported. Installation should be carried out by qualified staff in compliance with the current regulations regarding the installation of electrical equipment in the country where the products are installed. For the terms of use of the information on the product info sheet see [Conditions of Use](#).