



## EIKON: VGA 15P socket connector grey

**20348**

Wiring devices / Traditional wiring devices / EIKON / Devices

### VGA 15P socket connector grey

Socket outlet with 15P VGA connector, soldering, grey - 2 modules

### Product Status

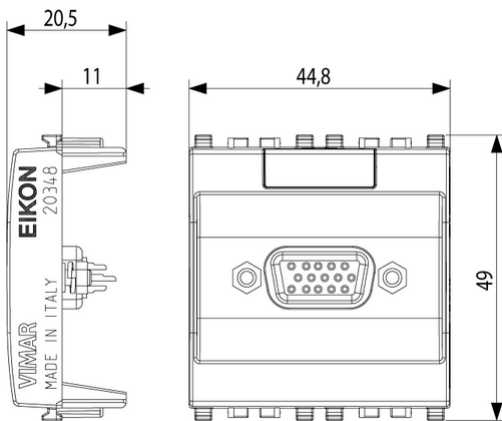
2 - Will be discontinued

### Minimum order quantity

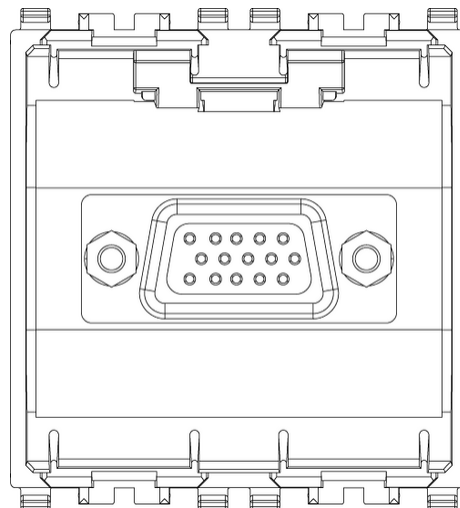
1 NR



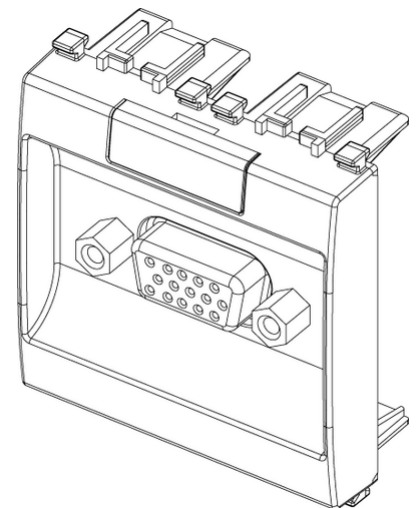
## Drawings



Space view



Backside view



3D View

## Certifications

• 00. CE Marking - EU

• 99. WEEE Directive ([download](#))

## Technical data

**Class group:** Domestic switching devices

**Class:** Insert/cover for communication technology

**Assembly arrangement:** Modular device for domestic switching devices

**Support ring:** No

**With dust cover:** No

**With hinged lid:** No

**With imprint:** No

**Mounting method:** Flush-mounted

**Material:** Plastic

**Material quality:** Thermoplastic

**Halogen free:** Yes

**Surface protection:** Untreated

**Surface finishing:** Matt

**Colour:** Grey

**RAL-number (similar):** 7024

**Transparent:** No

**Number of modules (module system):** 2

**With strain relief:** No

**Luster terminal:** No

**Suitable for degree of protection (IP):** IP20

**Device width:** 44,80 mm

**Device height:** 49,00 mm

**Device depth:** 20,10 mm

## Packaging



8 007352 491830

8007352491830

**Qtà** 1 NR

**Dim** 5.1x2.8x5.3 [cm]

**Weight** 18.5 [g]



8 007352 491847

8007352491847

**Qtà** 5 NR

**Dim** 14.2x6.7x5.9 [cm]

**Weight** 123.9 [g]

## Legal

Vimar reserves the right to change at any time and without notice the characteristics of the products reported. Installation should be carried out by qualified staff in compliance with the current regulations regarding the installation of electrical equipment in the country where the products are installed. For the terms of use of the information on the product info sheet see [Conditions of Use](#).