



## EIKON: Green prismatic indicator unit

**20387.V**

Wiring devices / Traditional wiring devices / EIKON / Devices

### Green prismatic indicator unit

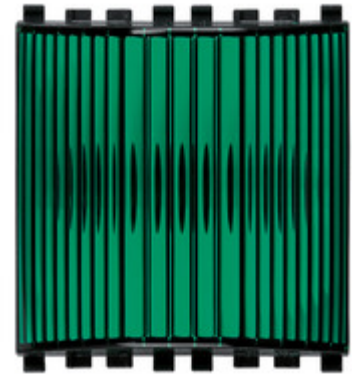
Prismatic indicator unit for lamps 230 V~ 3 W max, 14770, 14771, 14776 and 14777, vert diffuser - 2 modules. Lamp not provided

### Product Status

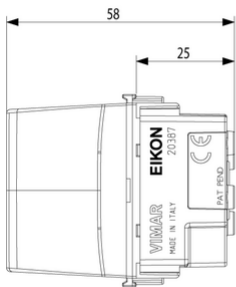
3 - Active

### Minimum order quantity

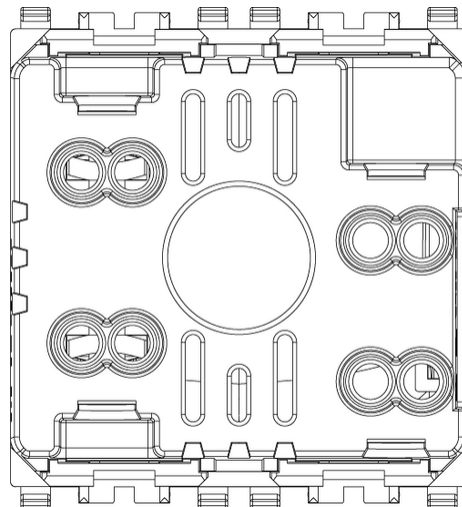
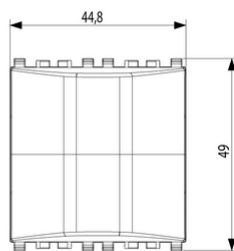
5 NR



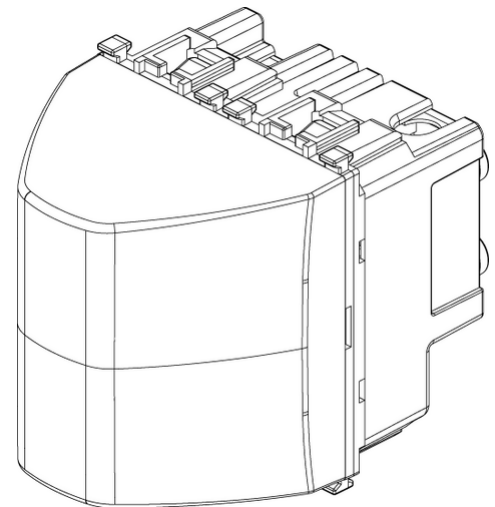
## Drawings



Space view



Backside view



3D View

## Certifications

- 00. CE Marking - EU
- 96. Electrotechnical expert ([download](#))
- 99. WEEE Directive ([download](#))

## Technical data

**Class group:** Domestic switching devices

**Class:** Information light signal for domestic switching devices

**Assembly arrangement:** Modular device for domestic switching devices

**Number of modules (module system):** 2

**Lamp holder:** E10

**With light source:** No

**Lamp type:** Incandescent lamp

**With flashlight:** No

**With fixed symbol/imprint:** No

**With exchangeable symbol:** No

**Mounting method:** Flush-mounted

**Type of fastening:** Engage (snap)

**Material:** Plastic

**Material quality:** Thermoplastic

**Halogen free:** Yes

**Surface protection:** Untreated

**Surface finishing:** Matt

**Colour:** Grey

**RAL-number (similar):** 6029

**Transparent:** No

**Colour light source:** Green

**Suitable for degree of protection (IP):** IP40

**Nominal voltage:** 230 V

**Max. lamp power:** 3 W

**Device width:** 44,80 mm

**Device height:** 49,00 mm

**Device depth:** 58,00 mm

## Packaging



8 007352 265301

8007352265301

**Qtà** 1 NR

**Dim** 6x5.4x5.3 [cm]

**Weight** 43.2 [g]



8 007352 265318

8007352265318

**Qtà** 5 NR

**Dim** 17.2x13.1x6 [cm]

**Weight** 277.27 [g]

## Legal

Vimar reserves the right to change at any time and without notice the characteristics of the products reported. Installation should be carried out by qualified staff in compliance with the current regulations regarding the installation of electrical equipment in the country where the products are installed. For the terms of use of the information on the product info sheet see [Conditions of Use](#).