



EIKON: LED-step marker lamp 12V Next

20389.012.N

Wiring devices / Traditional wiring devices / EIKON / Devices

LED-step marker lamp 12V Next

Step marker lamp with high-efficiency LED, supply voltage 12 V~ 50-60 Hz or 12 V d.c. (SELV), adjustable 3-level beam, Next - 2 modules

Product Status

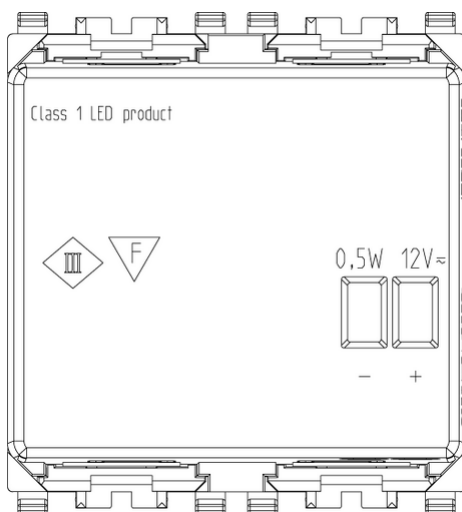
2 - Will be discontinued

Minimum order quantity

5 NR



Drawings



Backside view

Certifications

- 00. CE Marking - EU
- 37. Marking - Morocco
- 96. Electrotechnical expert ([download](#))
- 99. WEEE Directive ([download](#))

Technical data

Class group: Domestic switching devices

Class: Information light signal for domestic switching devices

Number of modules (module system): 2

With light source: Yes

Lamp type: LED not exchangeable

With flashlight: No

With fixed symbol/imprint: No

With exchangeable symbol: No

Mounting method: Flush-mounted

Type of fastening: Engage (snap)

Material: Plastic

Material quality: Thermoplastic

Surface protection: Lacquered

Surface finishing: Matt

Colour: Silver

RAL-number (similar): 9022

Transparent: No

Colour light source: White

Suitable for degree of protection (IP): IP40

Nominal voltage: 12 V

Packaging



8 007352 286993

8007352286993

Qtà 1 NR

Dim 6x5.4x5.3 [cm]

Weight 43.67 [g]



8 007352 287006

8007352287006

Qtà 5 NR

Dim 17.2x13.1x6 [cm]

Weight 275.93 [g]

Legal

Vimar reserves the right to change at any time and without notice the characteristics of the products reported. Installation should be carried out by qualified staff in compliance with the current regulations regarding the installation of electrical equipment in the country where the products are installed. For the terms of use of the information on the product info sheet see [Conditions of Use](#).