



EIKON: TORCIA hand lamp 120V grey

20396

Wiring devices / Traditional wiring devices / EIKON / Devices

TORCIA hand lamp 120V grey

TORCIA, electronic hand lamp with high-efficiency LED, supply voltage 120 V~ 50-60 Hz, automatic emergency device, replaceable rechargeable Ni-MH battery, 2 hours of operating range, grey - 2 modules



Product Status

2 - Will be discontinued

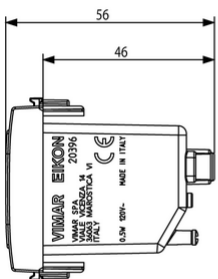
Minimum order quantity

10 NR

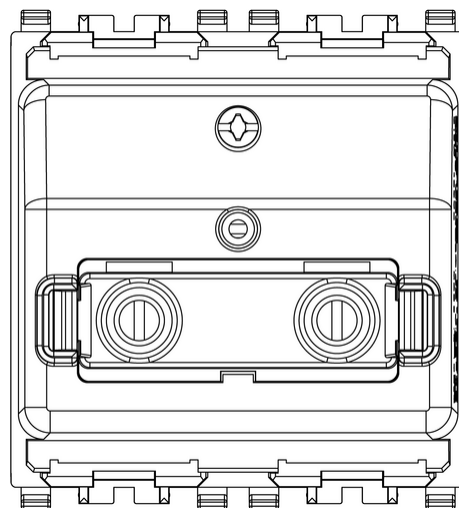
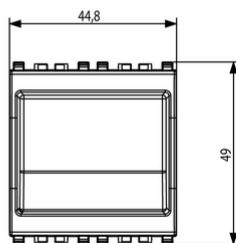
Sheets, Manuals, Documentation

- [FI - Foglio istruzioni ZIS_90720396A0 \(290 kb\)](#)

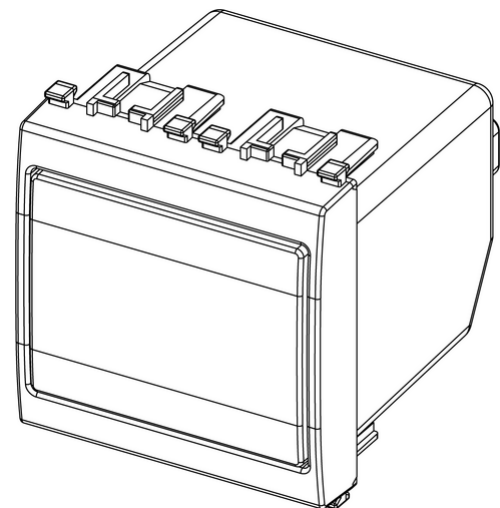
Drawings



Space view



Backside view



3D View

Certifications

- 00. CE Marking - EU
- 37. Marking - Morocco
- 96. Electrotechnical expert ([download](#))
- 99. WEEE Directive ([download](#))

Technical data

Class group: Luminaires

Class: Emergency luminaire

Mounting method: Built-in

With remote switch connection: No

Battery technology: NiMH

Lamp type: LED not exchangeable

With light source: Yes

Housing material: Plastic

Housing colour: Grey

Material cover: Without cover

Voltage type: AC

Nominal voltage: 120,00 - 120,01 V

Degree of protection (IP): IP40

Protection class according to IEC 61140: II

Max. system power: 1,00 W

Width: 44,80 mm

Height/depth: 49,00 mm

Built-in width: 44,80 mm

Built-in height/depth: 46,00 mm

Packaging



8007352279186

Qtà 1 NR

Dim 6x5.4x5.3 [cm]

Weight 85.47 [g]



8007352279193

Qtà 10 NR

Dim 28.1x13.1x6 [cm]

Weight 936.87 [g]

Legal

Vimar reserves the right to change at any time and without notice the characteristics of the products reported. Installation should be carried out by qualified staff in compliance with the current regulations regarding the installation of electrical equipment in the country where the products are installed. For the terms of use of the information on the product info sheet see [Condizioni di utilizzo](#).