



EIKON: 1P+N C10 120-230V CB white

20405.10.B

Wiring devices / Traditional wiring devices / EIKON / Devices

1P+N C10 120-230V CB white

1P+N C 10 circuit breaker, supply voltage 120-230 V~ 50-60 Hz, breaking capacity 3000 A, white

Product Status

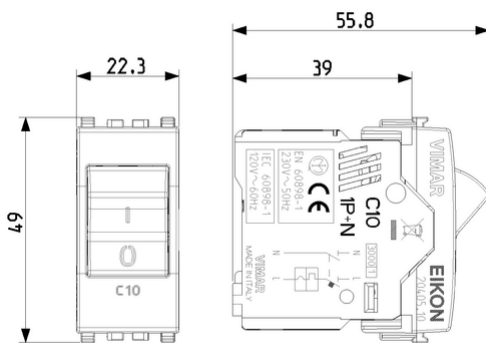
3 - Active

Minimum order quantity

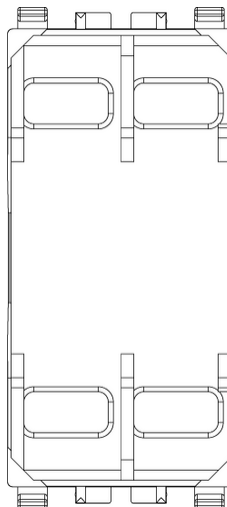
5 NR



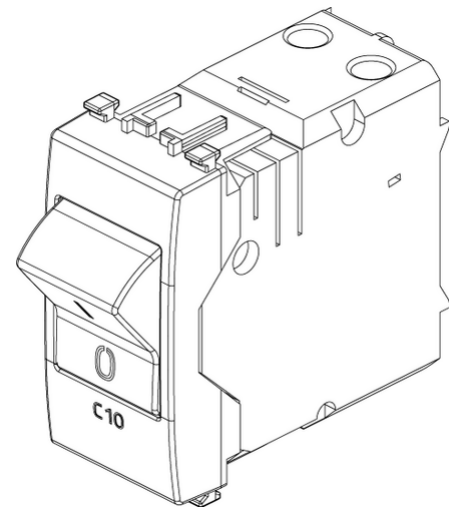
Drawings



Space view



Backside view



3D View

Certifications

- 00. CE Marking - EU
- 01. IMQ - Italy ([download](#))
- 37. Marking - Morocco
- 96. Electrotechnical expert ([download](#))
- 99. WEEE Directive ([download](#))

Technical data

Class group: Circuit breakers and fuses

Class: Miniature circuit breaker (MCB)

Built-in depth: 38,00 mm

Release characteristic: C

Number of poles (total): 2

Number of protected poles: 1

Rated current: 10 A

Rated voltage: 230 V

Rated short-circuit breaking capacity I_{cn} according to EN 60898 at 230 V: 3,00 kA

Voltage type: AC

Frequency: 50 - 60 HZ

Current limiting class: 1

Concurrently switching neutral conductor: Yes

Overvoltage category: 3

Width in number of modular spacings: 1

Degree of protection (IP): IP40

Packaging



8 007352 314634

8007352314634

Qtà 1 NR

Dim 6x2.8x5.3 [cm]

Weight 55.2 [g]



8 007352 314641

8007352314641

Qtà 5 NR

Dim 14.2x6.7x5.9 [cm]

Weight 305.73 [g]

Legal

Vimar reserves the right to change at any time and without notice the characteristics of the products reported. Installation should be carried out by qualified staff in compliance with the current regulations regarding the installation of electrical equipment in the country where the products are installed. For the terms of use of the information on the product info sheet see [Conditions of Use](#).