



EIKON: 1P 16A fuse carrier grey

20416

Wiring devices / Traditional wiring devices / EIKON / Devices

1P 16A fuse carrier grey

1P 16 A 250 V~ fuse carrier for \varnothing 5x20 mm and \varnothing 6,3x32 mm miniature fuses, grey. Provided without fuse

Product Status

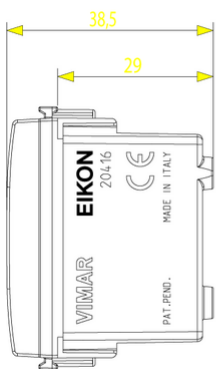
3 - Active

Minimum order quantity

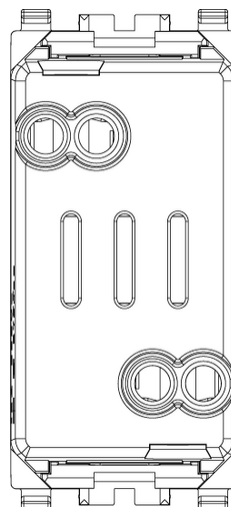
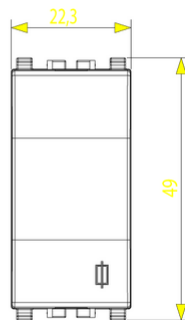
20 NR



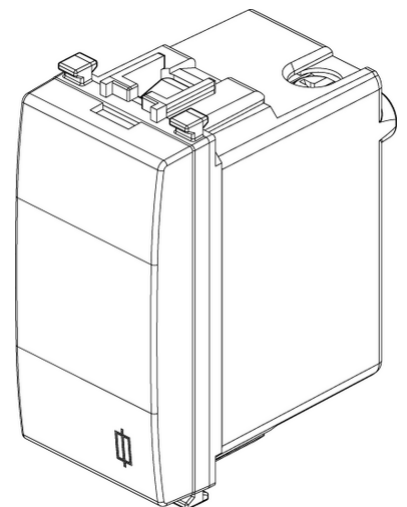
Drawings



Space view



Backside view



3D View

Certifications

- 00. CE Marking - EU
- 37. Marking - Morocco
- 96. Electrotechnical expert ([download](#))
- 99. WEEE Directive ([download](#))

Technical data

Class group: Circuit breakers and fuses

Class: Holder for cylindrical fuse

For fuse size: Other

Number of poles: 1

Concurrently switching neutral conductor: No

Packaging



8 007352 250543

8007352250543

Qtà 1 NR

Dim 4.1x2.8x5.3 [cm]

Weight 26.87 [g]



8 007352 250550

8007352250550

Qtà 20 NR

Dim 21.4x11.6x6 [cm]

Weight 592.3 [g]

Legal

Vimar reserves the right to change at any time and without notice the characteristics of the products reported. Installation should be carried out by qualified staff in compliance with the current regulations regarding the installation of electrical equipment in the country where the products are installed. For the terms of use of the information on the product info sheet see [Conditions of Use](#).