



Shared components: SPD spare part

20417.R

Wiring devices / Traditional wiring devices / Shared components / Accessories

SPD spare part

Transient voltage suppressor (SPD) spare part

Product Status

2 - Will be discontinued

Minimum order quantity

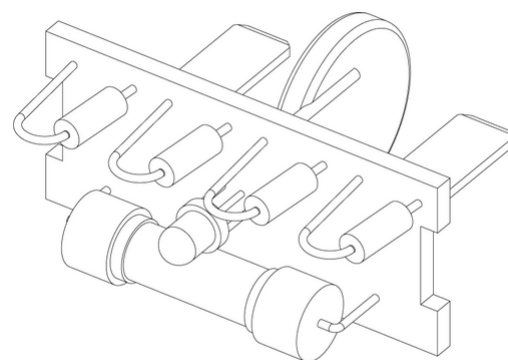
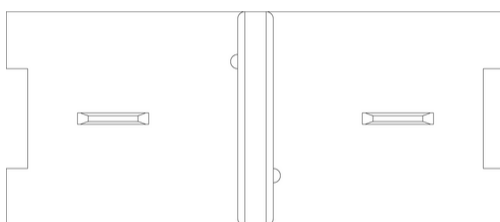
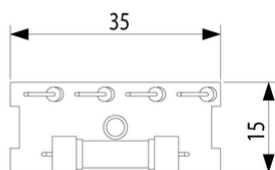
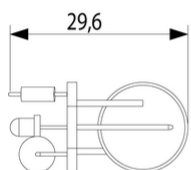
1 NR



Sheets, Manuals, Documentation

- [Multilanguage instructions sheet \(262 kb\)](#)

Drawings



Space view

Backside view

3D View

Certifications

- 00. CE Marking - EU
- 03. CSv-IMQ - Italy ([download](#))
- 37. Marking - Morocco
- 96. Electrotechnical expert ([download](#))
- 99. WEEE Directive ([download](#))

Technical data

Class group: Low-voltage control systems

Function: Varistor (voltage-sensitive resistor)

Class: Surge protection module

Packaging



8 007352 258068

8007352258068

Qtà 1 NR

Dim 4.1x2.8x5.3 [cm]

Weight 13.6 [g]



8 007352 428379

8007352428379

Qtà 5 NR

Dim 14.2x6.7x5.9 [cm]

Weight 97 [g]

Legal

Vimar reserves the right to change at any time and without notice the characteristics of the products reported. Installation should be carried out by qualified staff in compliance with the current regulations regarding the installation of electrical equipment in the country where the products are installed. For the terms of use of the information on the product info sheet see [Conditions of Use](#).