



EIKON: Pocket switch NFC/RFID CISA Next

20468.1.N

Wiring devices / Traditional wiring devices / EIKON / Devices

Pocket switch NFC/RFID CISA Next

NFC/RFID electronic transponder card reader for installation inside the room, compatible with CISA Electronic Solutions for Hotels, vertical pocket, 1 relay output 10 A 230 V~ NO (NON SELV), 1 relay output 4 A 230 V~ NO (NON SELV), power supply 120-230 V~ 50/60 Hz, pocket backlighting for visible in darkness, Next - 3 modules. Supplied without card (badge)



Product Status

3 - Active

Minimum order quantity

1 NR

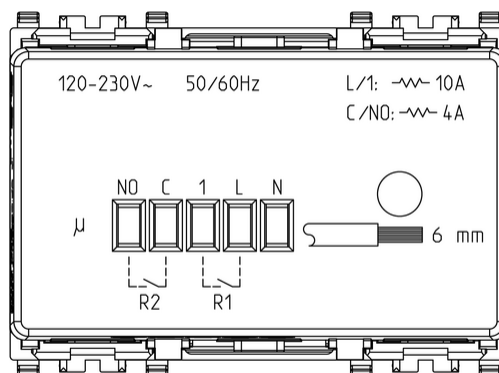
Sheets, Manuals, Documentation

- [Multilanguage instructions sheet \(975 kb\)](#)

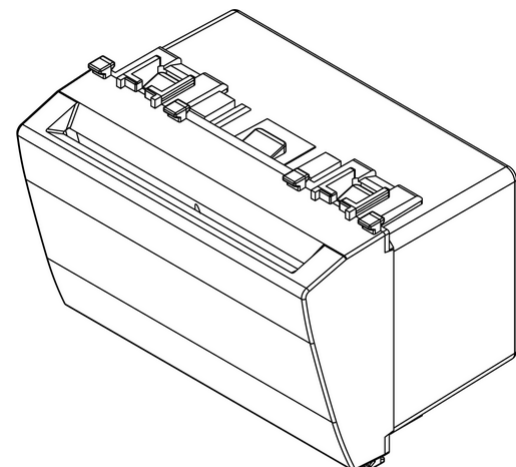
Drawings



Space view



Backside view



3D View

Certifications

- **00. CE Marking - EU** ([download](#))
- **37. Marking - Morocco**
- **99. WEEE Directive** ([download](#))

Technical data

Class group: Alarm installations, emergency call and signalling

Class: Access control system component

Standalone: Yes

Networkable: No

PC-binding: No

Type of interface: None

Type of reading technique: Data medium

Signalling: Buzzer

Mounting method: Flush-mounted

Operating voltage AC 50 Hz: 120,00 - 230,00 V

Operating voltage AC 60 Hz: 120,00 - 230,00 V

Operating temperature: 0 - 40 °C

Degree of protection (IP): IP20

Colour: Silver

Material: Plastic

Width: 67,30 mm

Height: 49,00 mm

Depth: 50,00 mm

Packaging



8 007352 573574

8007352573574

Qtà 1 NR

Dim 5.2x5.7x7.6 [cm]

Weight 97.1 [g]



8 007352 573581

8007352573581

Qtà 5 NR

Dim 21.4x11.6x6 [cm]

Weight 544.5 [g]

Legal

Vimar reserves the right to change at any time and without notice the characteristics of the products reported. Installation should be carried out by qualified staff in compliance with the current regulations regarding the installation of electrical equipment in the country where the products are installed. For the terms of use of the information on the product info sheet see [Conditions of Use](#).