



## EIKON: NFC/RFID switch for Mifare Next

### 20469.N

Wiring devices / Traditional wiring devices / EIKON / Devices

#### NFC/RFID switch for Mifare Next

NFC/RFID electronic transponder card reader for installation inside the room, compatible with Mifare Electronic Solutions for Hotels, vertical pocket, 1 relay output 10 A 230 V~ NO (NON SELV), 1 relay output 4 A 230 V~ NO (NON SELV), power supply 120-230 V~ 50/60 Hz, visible in darkness pocket lighting, Next - 3 modules. Supplied without Mifare card (badge)



#### Product Status

3 - Active

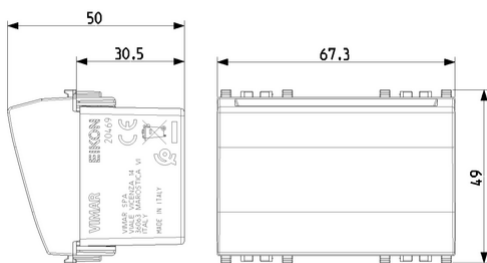
#### Minimum order quantity

1 NR

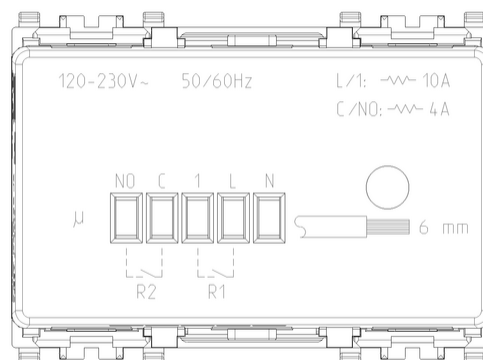
## Sheets, Manuals, Documentation

- [Multilanguage instructions sheet \(978 kb\)](#)

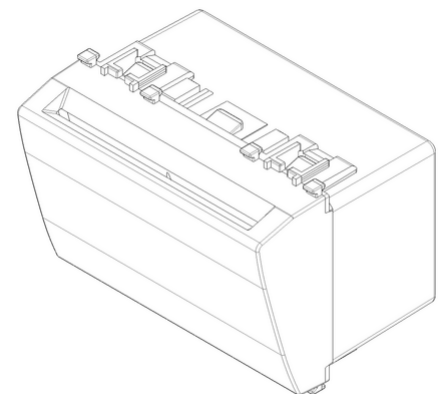
## Drawings



Space view



Backside view



3D View

## Certifications

- **00. CE Marking - EU** ([download](#))
- **37. Marking - Morocco**
- **92. RoHS UAE**
- **99. WEEE Directive** ([download](#))

## Technical data

**Class group:** Alarm installations, emergency call and signalling

**Class:** Access control system component

**Standalone:** Yes

**Networkable:** No

**PC-binding:** No

**Type of interface:** None

**Type of reading technique:** Data medium

**Signalling:** Buzzer

**Mounting method:** Flush-mounted

**Operating voltage AC 50 Hz:** 120,00 - 230,00 V

**Operating voltage AC 60 Hz:** 120,00 - 230,00 V

**Operating temperature:** 0 - 40 °C

**Degree of protection (IP):** IP20

**Colour:** Silver

**Material:** Plastic

**Width:** 67,30 mm

**Height:** 49,00 mm

**Depth:** 50,00 mm

## Packaging



8 007352 623927

8007352623927

**Qtà** 1 NR

**Dim** 5.2x5.7x7.6 [cm]

**Weight** 97.4 [g]



8 007352 623934

8007352623934

**Qtà** 5 NR

**Dim** 21.4x11.6x6 [cm]

**Weight** 543.2 [g]

## Legal

Vimar reserves the right to change at any time and without notice the characteristics of the products reported. Installation should be carried out by qualified staff in compliance with the current regulations regarding the installation of electrical equipment in the country where the products are installed. For the terms of use of the information on the product info sheet see [Conditions of Use](#).