



EIKON: Button 1M w/o symbol simple push grey

20531

Smart systems&products / By-me Plus / EIKON / Buttons

Button 1M w/o symbol simple push grey

Interchangeable 1-module button, without symbol, for simple push buttons, grey

Product Status

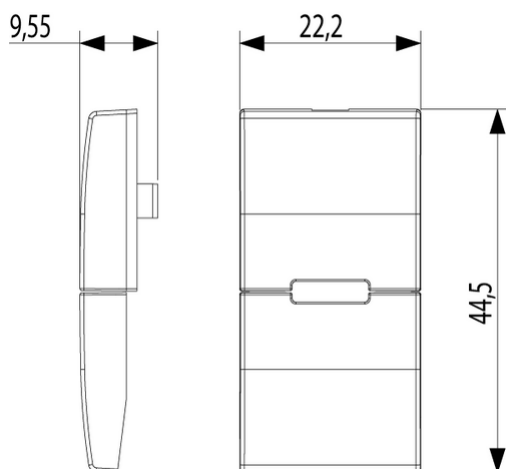
2 - Will be discontinued

Minimum order quantity

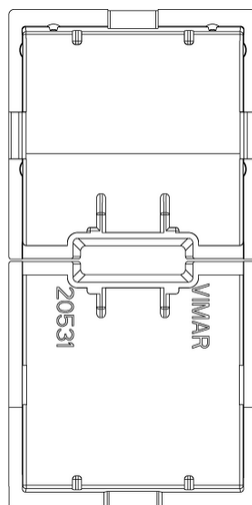
1 NR



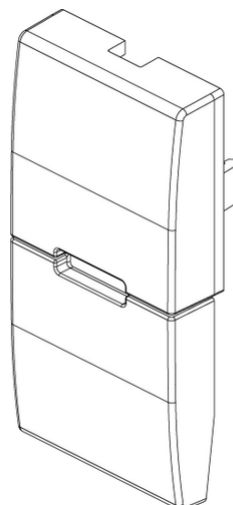
Drawings



Space view



Backside view



3D View

Certifications

• 01. IMQ - Italy ([download](#))

• 96. Electrotechnical expert ([download](#))

Technical data

Class group: Installation bus systems

Class: Touch rocker for bus system

Bus system KNX: No

Bus system KNX-RF (Radio Frequency): No

Bus system radio frequency: No

Bus system LON: No

Bus system Powernet: No

Other bus systems: None

Radio frequency bidirectional: No

Material: Plastic

Material quality: Thermoplastic

Surface protection: Untreated

Surface finishing: Matt

Colour: Grey

RAL-number (similar): 7024

Transparent: No

Packaging



8007352252028

Qtà 1 NR

Dim 2.2x2.2x1.9 [cm]

Weight 3.47 [g]



8007352252035

Qtà 20 NR

Dim 12.3x9.6x5.1 [cm]

Weight 98.07 [g]

Alternative products



[20751 - 2 half buttons 1M
w/o symbol cust. grey](#)

Legal

Vimar reserves the right to change at any time and without notice the characteristics of the products reported. Installation should be carried out by qualified staff in compliance with the current regulations regarding the installation of electrical equipment in the country where the products are installed. For the terms of use of the information on the product info sheet see [Condizioni di utilizzo](#).