



EIKON: Frame 1M BS white

20606.B

Wiring devices / Traditional wiring devices / EIKON / Mounting frames

Frame 1M BS white

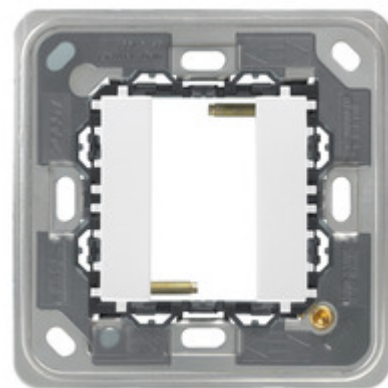
1-module mounting frame, with screws, for square British standard mounting boxes, white

Product Status

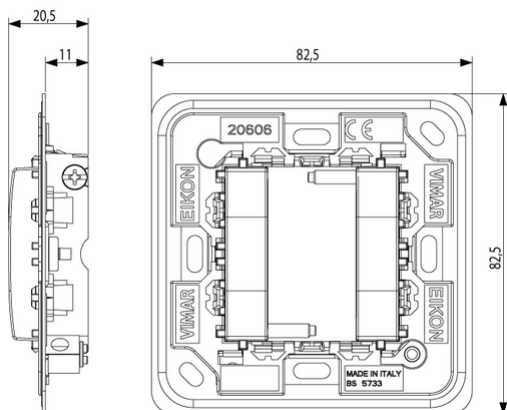
3 - Active

Minimum order quantity

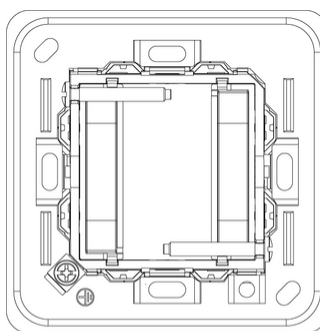
40 NR



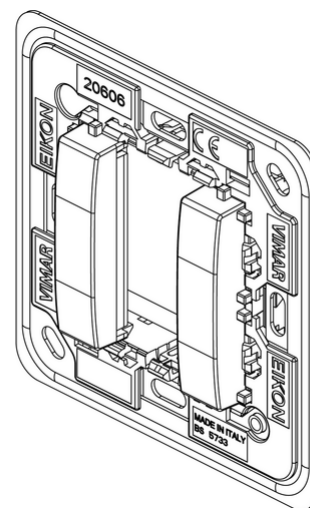
Drawings



Space view



Backside view



3D View

Certifications

- 00. CE Marking - EU
- 00. CE Marking - EU
- 01. IMQ - Italy ([download](#))
- 08. ASTA - UK ([download](#))
- 96. Electrotechnical expert ([download](#))

Technical data

Class group: Domestic switching devices

Class: Holder for modular domestic switching devices

Model: Flush-mounted

Type of fastening: Other

Mounting method of the module inserts: Front side

Mounting direction: Horizontal and vertical

Number of modules horizontal (module system): 1

Number of modules vertical (module system): 1

With built-in installation box: No

With screws: Yes

Suitable for mounting in round junction box 60 mm: No

Flush-mounted installation: Yes

Suitable for subfloor installation duct box: No

Suitable for wall duct: No

Suitable for mounting on DIN-rail 35 mm: No

Material: Plastic

Material quality: Thermoplastic

Surface protection: Untreated

Packaging



8 007352 383418

8007352383418

Qtà 1 NR

Dim 8.2x8.2x2 [cm]

Weight 44.55 [g]



8 007352 472044

8007352472044

Qtà 2 NR

Dim 8.2x8.2x4 [cm]

Weight 89.1 [g]



8 007352 383425

8007352383425

Qtà 40 NR

Dim 29.5x24.8x8.7 [cm]

Weight 1,935 [g]

Legal

Vimar reserves the right to change at any time and without notice the characteristics of the products reported. Installation should be carried out by qualified staff in compliance with the current regulations regarding the installation of electrical equipment in the country where the products are installed. For the terms of use of the information on the product info sheet see [Conditions of Use](#).