



EIKON: Frame 2M BS

20607

Wiring devices / Traditional wiring devices / EIKON / Mounting frames

Frame 2M BS

2-module mounting frame, with screws, for square British standard mounting boxes

- The honeycomb structure gives structural strength
- The slots in the corners enable fixing to the panel
- Thanks to the central slots, the support can be fixed onto the wall level



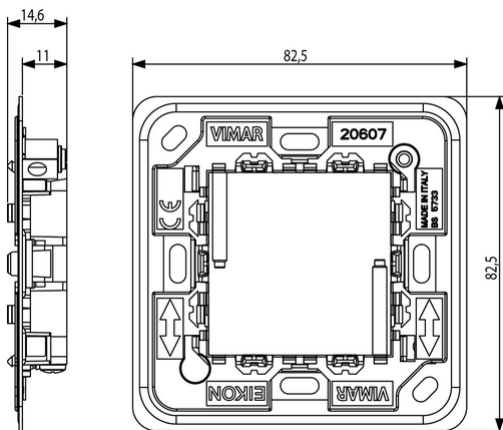
Product Status

3 - Active

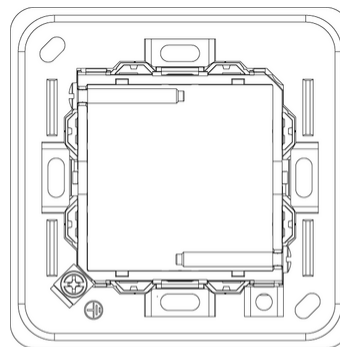
Minimum order quantity

40 NR

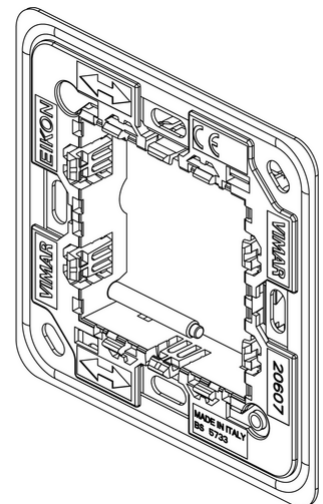
Drawings



Space view



Backside view



3D View

Certifications

- 00. CE Marking - EU
- 00. CE Marking - EU
- 00. CE Marking - EU
- 00. CE Marking - EU
- 01. IMQ - Italy ([download](#))
- 01. IMQ - Italy ([download](#))
- 08. ASTA - UK ([download](#))
- 96. Electrotechnical expert ([download](#))

Technical data

Class group: Domestic switching devices

Class: Holder for modular domestic switching devices

Model: Flush-mounted

Type of fastening: Other

Mounting method of the module inserts: Front side

Mounting direction: Horizontal and vertical

Number of modules horizontal (module system): 2

Number of modules vertical (module system): 1

With built-in installation box: No

With screws: Yes

Suitable for mounting in round junction box 60 mm: No

Flush-mounted installation: Yes

Suitable for subfloor installation duct box: No

Suitable for wall duct: No

Suitable for mounting on DIN-rail 35 mm: No

Material: Plastic

Material quality: Thermoplastic

Surface protection: Untreated

Packaging



8 007352 383470

8007352383470

Qtà 1 NR

Dim 8.2x8.2x1.5 [cm]

Weight 36.6 [g]



8 007352 383487

8007352383487

Qtà 40 NR

Dim 28.4x18.4x13.7 [cm]

Weight 1,590.6 [g]

Legal

Vimar reserves the right to change at any time and without notice the characteristics of the products reported. Installation should be carried out by qualified staff in compliance with the current regulations regarding the installation of electrical equipment in the country where the products are installed. For the terms of use of the information on the product info sheet see [Conditions of Use](#).