



EIKON: Round plate 7M Galvan.satin gold

20687.G21

Wiring devices / Traditional wiring devices / EIKON / Cover plates

Round plate 7M Galvan.satin gold

7-module Round cover plate, Refined metal and with golden frame, satin gold



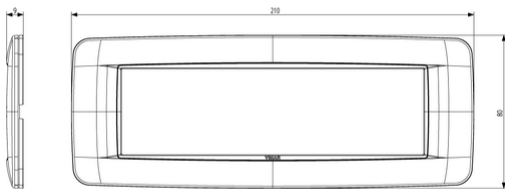
Product Status

2 - Will be discontinued

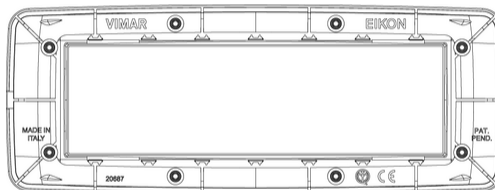
Minimum order quantity

1 NR

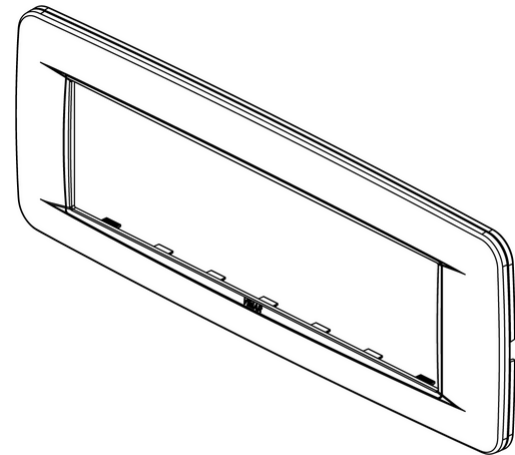
Drawings



Space view



Backside view



3D View

Certifications

- 00. CE Marking - EU

Technical data

Class group: Domestic switching devices

Class: Cover frame for domestic switching devices

Number of units: 7

Mounting direction: Horizontal and vertical

Number of device inserts horizontal: 7

Number of device inserts vertical: 1

Number of modules horizontal (module system): 7

Number of modules vertical (module system): 1

With mounting grid: Yes

Suitable for subfloor installation duct box: Yes

Suitable for wall duct: Yes

Suitable for built-in installation: Yes

Label space/information surface: Yes

Material: Metal

Material quality: Other

Halogen free: Yes

Surface protection: Lacquered

Surface finishing: Matt

Colour: Gold

RAL-number (similar): 1036

Transparent: No

With hinged lid: No

Degree of protection (IP): IP00

Type of fastening: Clamp mounting

Width: 210,00 mm

Height: 80,00 mm

Depth: 9,000 mm

Built-in width: 210,00 mm

Built-in height: 80,00 mm

Diameter bore hole (opening): 0,00 mm

Packaging



8007352483859

Qtà 1 NR

Dim 21.75x9.5x1.6
[cm]

Weight 173.1 [g]



8007352483866

Qtà 5 NR

Dim 22.6x10.2x10.2
[cm]

Weight 934.2 [g]

You may also be interested in



21617 - Frame 7M
+screws

Legal

Vimar reserves the right to change at any time and without notice the characteristics of the products reported. Installation should be carried out by qualified staff in compliance with the current regulations regarding the installation of electrical equipment in the country where the products are installed. For the terms of use of the information on the product info sheet see [Conditions of Use](#).