



EIKON: 2 half buttons 1M arrows symbol Next

20751.2.N

Smart systems&products / By-me Plus / EIKON / Buttons

2 half buttons 1M arrows symbol Next

Two interchangeable half-buttons, directional arrows symbol, 1 module, Next

Product Status

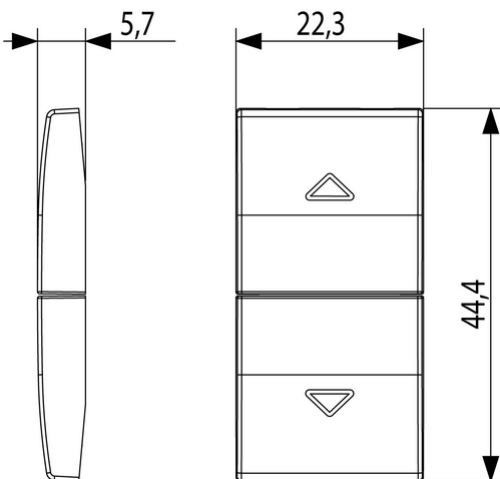
3 - Active

Minimum order quantity

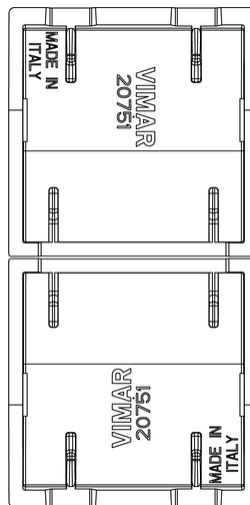
1 NR



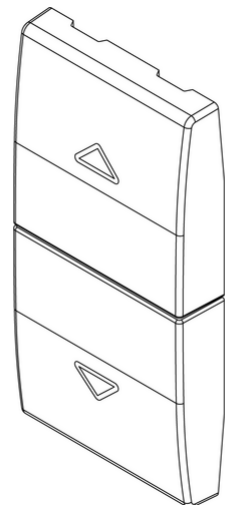
Drawings



Space view



Backside view



3D View

Certifications

- 00. CE Marking - EU

Technical data

Class group: Installation bus systems

Class: Touch rocker for bus system

Bus system KNX: Yes

Bus system KNX-RF (Radio Frequency): No

Bus system radio frequency: No

Bus system LON: No

Bus system Powernet: No

Other bus systems: Other

Radio frequency bidirectional: No

Material: Plastic

Material quality: Thermoplastic

Surface protection: Lacquered

Surface finishing: Matt

Colour: Silver

RAL-number (similar): 9022

Transparent: No

Packaging



8007352592469

Qtà 1 NR

Dim 6.5x4x1 [cm]

Weight 3.2 [g]



8007352592476

Qtà 20 NR

Dim 12.3x9.6x5.1 [cm]

Weight 99.6 [g]

Legal

Vimar reserves the right to change at any time and without notice the characteristics of the products reported. Installation should be carried out by qualified staff in compliance with the current regulations regarding the installation of electrical equipment in the country where the products are installed. For the terms of use of the information on the product info sheet see [Conditions of Use](#).