



## EIKON: 2 half buttons 1M ON/OFF vol.symb.Next

### 20751.4.N

Smart systems&products / By-me Plus / EIKON / Buttons

### 2 half buttons 1M ON/OFF vol.symb.Next

Two interchangeable half-buttons, I/O volume symbol, 1 module, Next

### Product Status

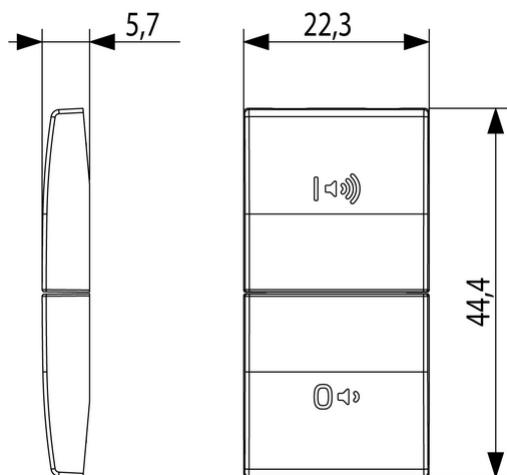
3 - Active

### Minimum order quantity

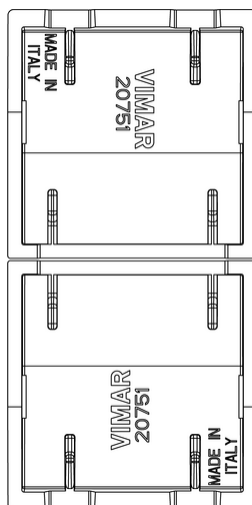
1 NR



## Drawings



Space view



Backside view



3D View

## Certifications

- 00. CE Marking - EU

## Technical data

**Class group:** Installation bus systems

**Class:** Touch rocker for bus system

**Bus system KNX:** Yes

**Bus system KNX-RF (Radio Frequency):** No

**Bus system radio frequency:** No

**Bus system LON:** No

**Bus system Powernet:** No

**Other bus systems:** Other

**Radio frequency bidirectional:** No

**Material:** Plastic

**Material quality:** Thermoplastic

**Surface protection:** Lacquered

**Surface finishing:** Matt

**Colour:** Silver

**RAL-number (similar):** 9022

**Transparent:** No

## Packaging



8007352592506

**Qtà** 1 NR

**Dim** 6.5x4x1 [cm]

**Weight** 3.3 [g]



8007352592513

**Qtà** 20 NR

**Dim** 12.3x9.6x5.1 [cm]

**Weight** 98.9 [g]

## Legal

Vimar reserves the right to change at any time and without notice the characteristics of the products reported. Installation should be carried out by qualified staff in compliance with the current regulations regarding the installation of electrical equipment in the country where the products are installed. For the terms of use of the information on the product info sheet see [Conditions of Use](#).