



EIKON: 2 half buttons 1M customizable white

20755.B

Wiring devices / View Wireless wiring devices / EIKON / Buttons

2 half buttons 1M customizable white

Two customisable 1-module interchangeable neutral half-button caps, white

Product Status

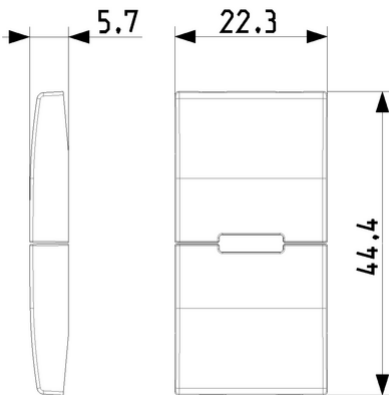
3 - Active

Minimum order quantity

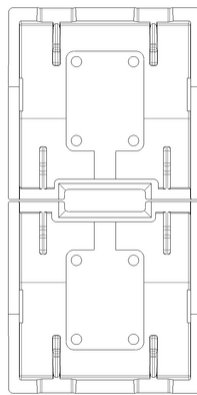
1 NR



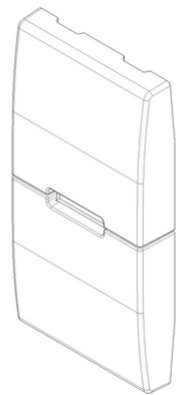
Drawings



Space view



Backside view



3D View

Certifications

- 00. CE Marking - EU

Technical data

Class group: Installation bus systems

Class: Touch rocker for bus system

Bus system KNX: No

Bus system KNX-RF (Radio Frequency): No

Bus system radio frequency: No

Bus system LON: No

Bus system Powernet: No

Other bus systems: Other

Radio frequency bidirectional: Yes

With bus connection: No

Material: Plastic

Material quality: Thermoplastic

Surface protection: Untreated

Surface finishing: Matt

Colour: White

RAL-number (similar): 9016

Transparent: No

Packaging



8 007352 708402

8007352708402

Qtà 1 NR

Dim 4.44x2.3x0.67
[cm]

Weight 3.4 [g]



8 007352 708419

8007352708419

Qtà 20 NR

Dim 12.3x9.6x5.1
[cm]

Weight 98 [g]

Legal

Vimar reserves the right to change at any time and without notice the characteristics of the products reported. Installation should be carried out by qualified staff in compliance with the current regulations regarding the installation of electrical equipment in the country where the products are installed. For the terms of use of the information on the product info sheet see [Conditions of Use](#).