



EIKON: Four half-buttons 1M I symbol grey

20841.1

Smart systems&products / KNX / EIKON / Buttons

Four half-buttons 1M I symbol grey

Four interchangeable half-buttons, 1 module, I symbol, grey

Product Status

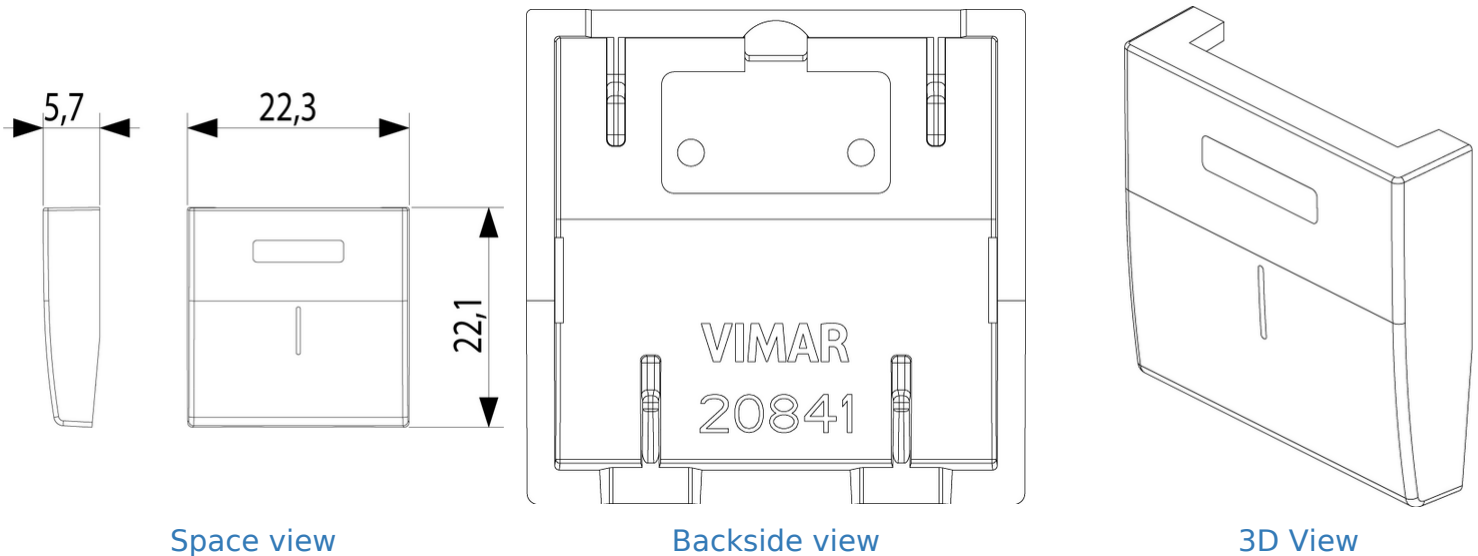
2 - Will be discontinued

Minimum order quantity

1 NR



Drawings



Certifications

- 96. Electrotechnical expert ([download](#))

Technical data

Class group: Domestic switching devices

Class: Control element/cover plate for domestic switching devices

Model: Other

Imprint/indication: Character "1"

Utilization: Switch/push button

Suitable for touch sensor connector for bus system: No

Type of fastening: Clamp mounting

Monitoring window/light outlet: Yes

Material: Plastic

Material quality: Thermoplastic

Halogen free: Yes

Surface protection: Untreated

Surface finishing: Matt

Colour: Grey

RAL-number (similar): 7024

With label area: No

With exchangeable lens/symbol: No

Suitable for degree of protection (IP): IP40

Depth: 570,00 mm

Packaging



8007352384996

Qtà 1 NR

Dim 4.4x2.2x1.2 [cm]

Weight 5.81 [g]



8007352385009

Qtà 6 NR

Dim 14.2x6.7x5.9 [cm]

Weight 65.58 [g]

Alternative products



20751.1 - 2 half buttons
1M ON/OFF symbol grey

Legal

Vimar reserves the right to change at any time and without notice the characteristics of the products reported. Installation should be carried out by qualified staff in compliance with the current regulations regarding the installation of electrical equipment in the country where the products are installed. For the terms of use of the information on the product info sheet see [Conditions of Use](#).