



EIKON: Two half-buttons 2M I/O symbols white

20842.2.B

Smart systems&products / KNX / EIKON / Buttons

Two half-buttons 2M I/O symbols white

Two interchangeable half-buttons, 2 modules, I O symbol, white

Product Status

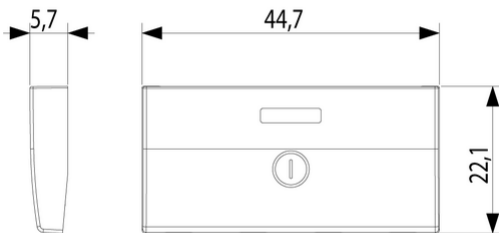
2 - Will be discontinued

Minimum order quantity

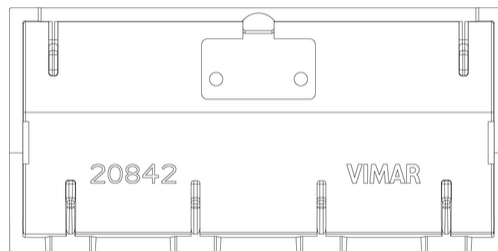
1 NR



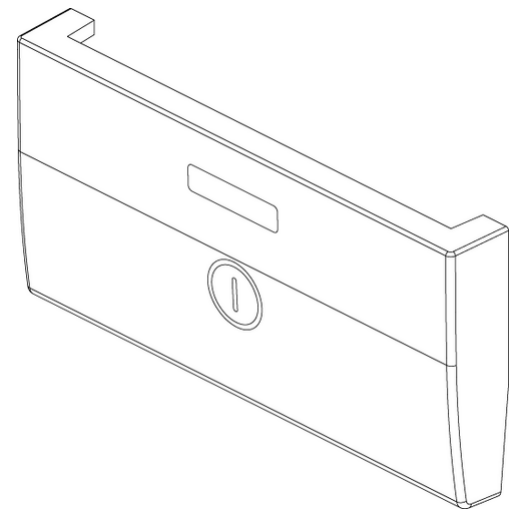
Drawings



Space view



Backside view



3D View

Certifications

- 96. Electrotechnical expert ([download](#))

Technical data

Class group: Domestic switching devices

Class: Control element/cover plate for domestic switching devices

Model: Two-part button

Imprint/indication: Characters "0-1"

Utilization: Switch/push button

Suitable for touch sensor connector for bus system: No

Type of fastening: Clamp mounting

Monitoring window/light outlet: Yes

Material: Plastic

Material quality: Thermoplastic

Halogen free: Yes

Surface protection: Untreated

Surface finishing: Matt

Colour: White

RAL-number (similar): 9016

With label area: No

With exchangeable lens/symbol: No

Suitable for degree of protection (IP): IP40

Depth: 570,00 mm

Packaging



8007352386198

Qtà 1 NR

Dim 4.5x2.2x1.2 [cm]

Weight 5.27 [g]



8007352386204

Qtà 6 NR

Dim 14.2x6.7x5.9 [cm]

Weight 62.53 [g]

Alternative products



20752.1.B - 2 half buttons 2M ON/OFF symbol white

Legal

Vimar reserves the right to change at any time and without notice the characteristics of the products reported. Installation should be carried out by qualified staff in compliance with the current regulations regarding the installation of electrical equipment in the country where the products are installed. For the terms of use of the information on the product info sheet see [Conditions of Use](#).