



## Shared components: Cover 8M Eikon/Arké/Plana mount-frame

### 21618.C

Wiring devices / Traditional wiring devices / Shared components / Accessories

### Cover 8M Eikon/Arké/Plana mount-frame

Transparent protection cover for 8 (4+4)-module mounting frame

### Product Status

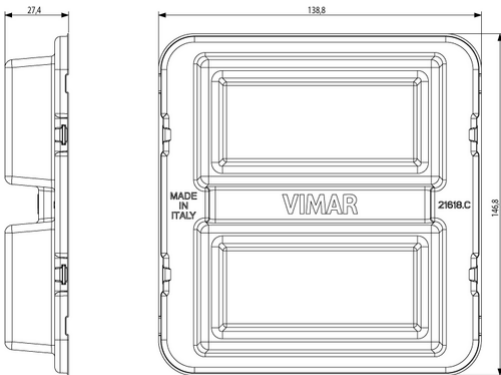
3 - Active

### Minimum order quantity

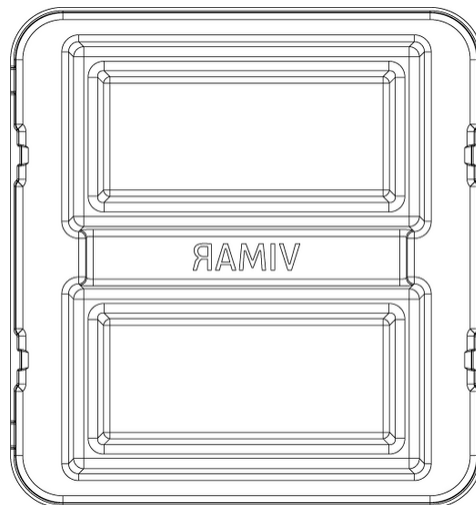
20 NR



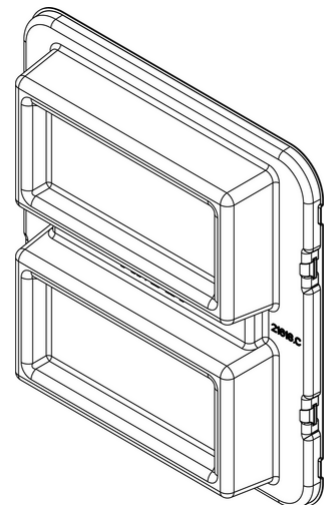
## Drawings



Space view



Backside view



3D View

## Technical data

**Class group:** Electrical installation, isolation and connection material

**Class:** Cover for box/housing for built-in mounting in the wall/ceiling

**Diameter:** 0,00 mm

**Length:** 146,80 mm

**For box-/housing length:** 138,80 mm

**Width:** 138,80 mm

**Depth:** 27,40 mm

**Shape:** Rectangular

**Type of fastening:** Other

**Model:** Construction protective cover

**Material:** Plastic

**Halogen free:** Yes

**Colour:** Other

**RAL-number (similar):** 9002

**With screws:** No

**Sealable:** No

## Packaging



8 007352 492011

8007352492011

**Qtà** 1 NR

**Dim** 14x14.5x2.8 [cm]

**Weight** 10.6 [g]



8 007352 492028

8007352492028

**Qtà** 20 NR

**Dim** 28.4x18.4x11.6 [cm]

**Weight** 330 [g]

## Legal

Vimar reserves the right to change at any time and without notice the characteristics of the products reported. Installation should be carried out by qualified staff in compliance with the current regulations regarding the installation of electrical equipment in the country where the products are installed. For the terms of use of the information on the product info sheet see [Conditions of Use](#).