



## LINEA: 2P+E 16A DE SICURY outlet +USBC 15 canva

### 30208.USBC

Wiring devices / Traditional wiring devices / LINEA / Devices

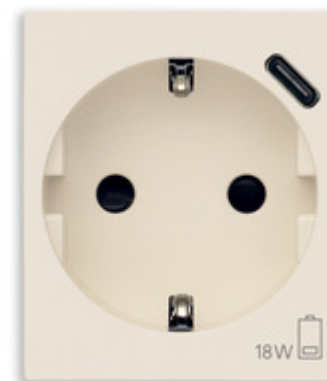
### 2P+E 16A DE SICURY outlet +USBC 15 canva

#### Product Status

3 - Active

#### Minimum order quantity

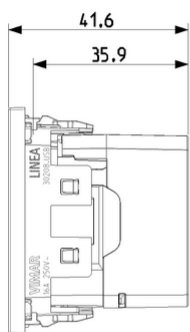
10 NR



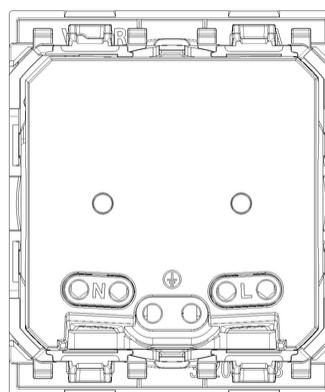
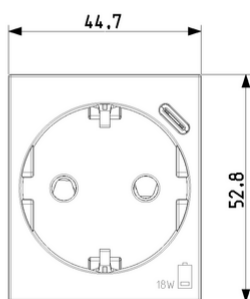
## Sheets, Manuals, Documentation

- [Light multilanguage instructions sheet \(506 kb\)](#)
- [Full multilanguage instructions sheet \(839 kb\)](#)

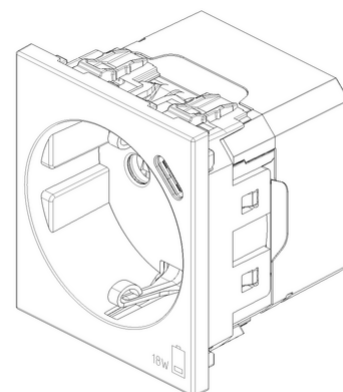
## Drawings



Space view



Backside view



3D View

## Certifications

- **00. CE Marking - EU**
- **37. Marking - Morocco**
- **99. WEEE Directive ([download](#))**

## Technical data

**Class group:** Domestic switching devices

**Class:** Socket outlet

**Model:** Socket outlet with protective contact CEE  
7/3 (type F)

**Concurrently switching neutral conductor:** No

**Protective contact:** Earthing clips

**Number of active contacts (round):** 2

**Number of active contacts (flat):** 0

**Number of active contacts (square):** 0

**With signal lamp:** No

**Number of ports USB-A:** 0

**Number of ports USB-C:** 1

**Max. current rating of USB power supply:** 3 A

**Number of socket outlets:** 1

**Number of modules (module system):** 2

**Number of socket outlets switchable:** 0

**Number of phases:** 1

**Imprint/indication:** Other

**Connection type:** Screwed terminal

**With hinged lid:** No

**With enhanced contact protection:** Yes

**Label space/information surface:** No

**Colour:** Beige

**RAL-number (similar):** 7032

**Metallic colour:** No

**Transparent:** No

**Lockable:** No

**Eject-mechanism:** No

**Insulated mounting:** Yes

**With function lighting:** No

**With orientation lighting:** No

**Overvoltage protection:** No

**Fault current protection:** No

**With miniature fuse:** No

**Special power supply:** None

**Mounting method:** Flush-mounted

**Type of fastening:** Snap mounting (engagement)

**Material:** Plastic

**Material quality:** Thermoplastic

**Halogen free:** Yes

**Surface protection:** Untreated

**Surface finishing:** Matt

**Anti-bacterial treatment:** No

**With loop through function:** Yes

**Number of loop throughs:** 1

**With on/off switch:** No

**Colour of switch operator:** Other

**Rotated central insert:** No

**Nominal current:** 16 A

**Nominal voltage:** 250 V

**Frequency:** 50,00 - 60,00 HZ

**Rated fault current:** 0 mA

**Suitable for degree of protection (IP):** IP20

**Impact strength:** Other

**Device width:** 44,70 mm

**Device height:** 52,80 mm

**Device depth:** 41,60 mm

**Min. depth of built-in installation box:** 40,00 mm

**Compatible with Apple HomeKit:** No

**Compatible with Amazon Alexa:** No

**Compatible with Google Assistant:** No

**IFTTT support available:** No

**With Wi-Fi signal repeater:** No

**With built-in bluetooth speaker:** No

**For heavy conditions according to VDE:** No

**Compliant with UK Building Regulations Part**

**M:** No

## Packaging



8 007352 754997

8007352754997

**Qtà** 1 NR

**Dim** 6x5.4x5.2 [cm]

**Weight** 72 [g]



8 007352 755000

8007352755000

**Qtà** 10 NR

**Dim** 28.1x13.1x6 [cm]

**Weight** 804.6 [g]



8 007352 755017

8007352755017

**Qtà** 120 NR

**Dim** 40x30x27 [cm]

**Weight** 10,135.2 [g]

## Legal

Vimar reserves the right to change at any time and without notice the characteristics of the products reported. Installation should be carried out by qualified staff in compliance with the current regulations regarding the installation of electrical equipment in the country where the products are installed. For the terms of use of the information on the product info sheet see [Conditions of Use](#).