



LINEA: TV-RD-SAT through-line out. black

30300.10G

Wiring devices / Traditional wiring devices / LINEA / Devices

TV-RD-SAT through-line out. black

TV-RD-SAT coaxial socket outlet, 5-2400 Mhz, feed-through, with male connector, 10 dB connection attenuation, black

Product Status

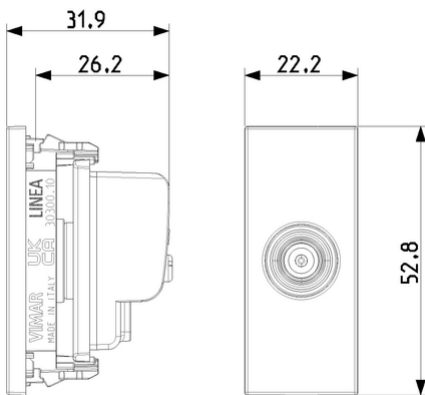
3 - Active

Minimum order quantity

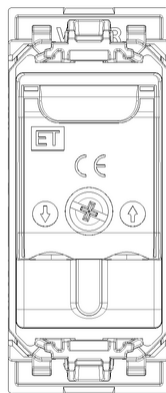
20 NR



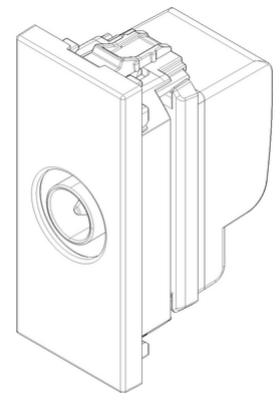
Drawings



Space view



Backside view



3D View

Certifications

- 00. CE Marking - EU
- 37. Marking - Morocco
- 99. WEEE Directive ([download](#))

Technical data

Class group: Antenna and satellite technique

Class: Antenna socket box

Model: Loop-through socket

Type of socket outlet: TV/RD/SAT

Mounting method: Flush-mounted

Number of modules (module system): 1

Tap loss at 860 MHz: 10,60 dB

Tap loss at 2150 MHz: 9,90 dB

Number of outlets: 1

Suitable for cable modem: No

Through loss at 860 MHz: 2,20 dB

Through loss at 2150 MHz: 3,40 dB

TV frequency band: 5 - 2.400 MHz

Suitable for remote power supply: Yes

Radio frequency band: 5 - 2.400 MHz

SAT frequency band: 5 - 2.400 MHz

Shielding efficiency class: Class A

Type of fastening: Snap mounting (engagement)

Colour: Black

RAL-number (similar): 7021

Surface protection: Untreated

Surface finishing: Matt

Material: Plastic

Material quality: Thermoplastic

Halogen free: Yes

Anti-bacterial treatment: No

Degree of protection (IP): IP20

Device width: 2.230,00 mm

Device height: 5.280,00 mm

Device depth: 3.190,00 mm

Packaging



8 007352 680111

8007352680111

Qtà 1 NR

Dim 3.6x2.7x5.6 [cm]

Weight 51.2 [g]



8 007352 680128

8007352680128

Qtà 20 NR

Dim 19.4x12.6x6.5 [cm]

Weight 1,091 [g]

Legal

Vimar reserves the right to change at any time and without notice the characteristics of the products reported. Installation should be carried out by qualified staff in compliance with the current regulations regarding the installation of electrical equipment in the country where the products are installed. For the terms of use of the information on the product info sheet see [Conditions of Use](#).