



LINEA: Electromech.badge switch 2M white

30403.B

Wiring devices / Traditional wiring devices / LINEA / Devices

Electromech.badge switch 2M white

Upright electronic badge switch, 4 A 250 V~ NO change-over relay output (NON SELV), 120-230 V~ 50-60 Hz power supply, pocket lighting to be visible in darkness, trimmer for adjusting switch-off time after removing the card, white - 2 modules.

Supplied without ISO card (badge)



Product Status

3 - Active

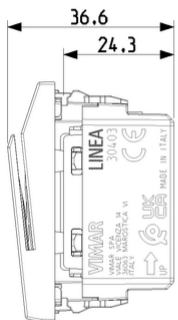
Minimum order quantity

1 NR

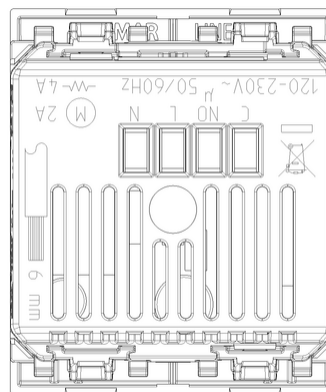
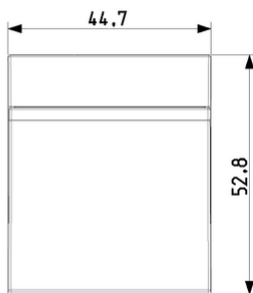
Sheets, Manuals, Documentation

- [Light Multilanguage instructions sheet \(709 kb\)](#)
- [Full Multilanguage instructions sheet \(1127 kb\)](#)

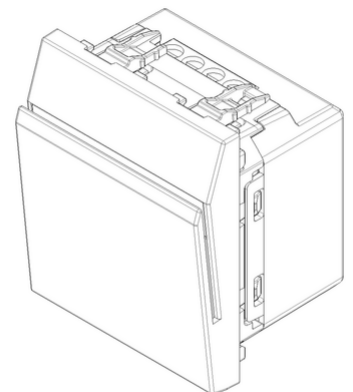
Drawings



Space view



Backside view



3D View

Certifications

- 00. CE Marking - EU
- 37. Marking - Morocco
- 99. WEEE Directive ([download](#))

Technical data

Class group: Alarm installations, emergency call and signalling

Class: Access control system component

Model: Reader

Standalone: Yes

Networkable: No

PC-binding: No

Type of interface: None

Type of reading technique: Data medium

Signalling: None

Mounting method: Flush-mounted

Operating voltage AC 50 Hz: 250,00 - 250,01 V

Operating voltage AC 60 Hz: 250,00 - 250,01 V

Power over Ethernet (PoE): None

Operating temperature: 5 - 35 °C

Degree of protection (IP): IP20

Colour: White

Material: Plastic

Width: 44,80 mm

Height: 52,80 mm

Depth: 36,10 mm

Compatible with Apple HomeKit: No

Compatible with Google Assistant: No

Compatible with Amazon Alexa: No

IFTTT support available: No

VdS class: None

Packaging



8007352688636

Qtà 1 NR

Dim 6x5.4x5.2 [cm]

Weight 55.45 [g]



8007352688643

Qtà 10 NR

Dim 28.1x13.1x6 [cm]

Weight 554.5 [g]



8007352688650

Qtà 120 NR

Dim 38.5x29x30 [cm]

Weight 6,654 [g]

Legal

Vimar reserves the right to change at any time and without notice the characteristics of the products reported. Installation should be carried out by qualified staff in compliance with the current regulations regarding the installation of electrical equipment in the country where the products are installed. For the terms of use of the information on the product info sheet see [Conditions of Use](#).