



## LINEA: Home automation IR detector Canvas

**30475.C**

Smart systems&products / By-me Plus / LINEA / Devices

### Home automation IR detector Canvas

Passive infrared motion detector, canvas - 2 modules

### Product Status

3 - Active

### Minimum order quantity

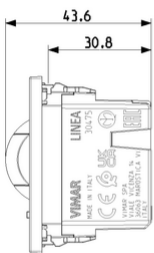
1 NR



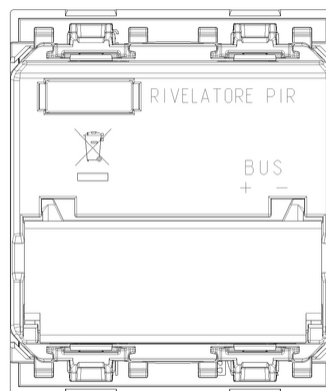
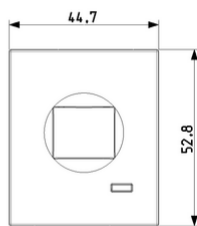
## Sheets, Manuals, Documentation

- [Light Multilanguage instructions sheet \(712 kb\)](#)
- [Full Multilanguage instructions sheet \(1175 kb\)](#)

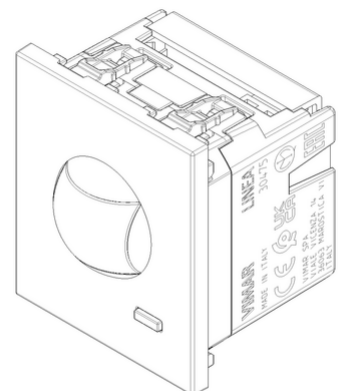
## Drawings



Space view



Backside view



3D View

## Certifications

- **00. CE Marking - EU**
- **37. Marking - Morocco**
- **46. UK PSTI compliance ([download](#))**
- **99. WEEE Directive ([download](#))**

## Technical data

**Class group:** Installation bus systems

**Class:** Movement sensor for bus system

**Bus system KNX:** No

**Bus system KNX-RF (Radio Frequency):** No

**Bus system radio frequency:** No

**Bus system LON:** No

**Bus system Powernet:** No

**Other bus systems:** Other

**Radio frequency bidirectional:** No

**Model:** Movement sensor

**Mounting method:** Flush-mounted

**Material:** Plastic

**Material quality:** Thermoplastic

**Surface protection:** Untreated

**Surface finishing:** Matt

**Colour:** Beige

**RAL-number (similar):** 7032

**Transparent:** No

**With bus connection:** Yes

**Substation input:** No

**Creep-under protection:** No

**Operation mode switch:** No

**Animal zone:** No

**Staircase light controller:** No

**Response value luminosity adjustable:** Yes

**Teach-function for response value luminosity:**  
No

**Switch-off delay self-learning:** No

**DALI-2 certified:** No

**Max. reach sideways:** 0,00 m

**Max. reach frontally:** 10 m

**Diameter reach on floor:** 0,00 m

**Detection angle vertical:** 0 - 36

**Detection angle horizontal:** 0,00 - 112,00

**Number of channels:** 16

**Switching power:** 0 W

**Min. switch-on time:** 10 s

**Max. duty cycle:** 250 min

**Width:** 44,70 mm

**Height:** 52,80 mm

**Depth:** 43,60 mm

**Built-in width:** 44,70 mm

**Built-in depth:** 30,80 mm

**Built-in length:** 52,80 mm

## Packaging



8007352691728

**Qtà** 1 NR

**Dim** 6x5.4x5.2 [cm]

**Weight** 52 [g]



8007352691735

**Qtà** 10 NR

**Dim** 28.1x13.1x6 [cm]

**Weight** 603.4 [g]

## Legal

Vimar reserves the right to change at any time and without notice the characteristics of the products reported. Installation should be carried out by qualified staff in compliance with the current regulations regarding the installation of electrical equipment in the country where the products are installed. For the terms of use of the information on the product info sheet see [Conditions of Use](#).