



LINEA: Hub XT By-me Plus

32001

Smart systems&products / By-me Plus / LINEA / XT modules

Hub XT By-me Plus

XT device power supply node for By-me home automation system, 29 VDC bus power supply, to be installed on XT mounting frames, to be completed with By-me XT front modules

Product Status

3 - Active

Minimum order quantity

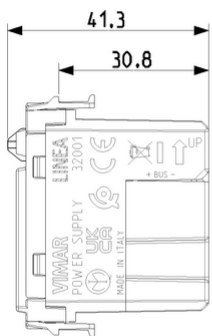
1 NR



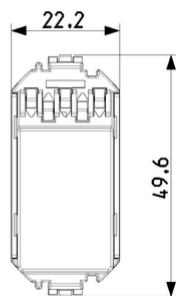
Sheets, Manuals, Documentation

- [Light multilanguage instructions sheet \(918 kb\)](#)
- [Full multilanguage instructions sheet \(1003 kb\)](#)

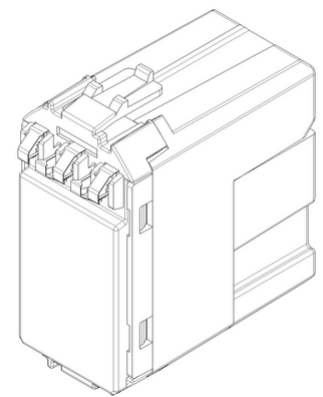
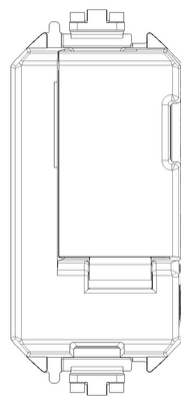
Drawings



Space view



Backside view



3D View

Certifications

- 00. CE Marking - EU
- 00. CE Marking - EU
- 01. IMQ - Italy ([download](#))
- 37. Marking - Morocco
- 46. UK PSTI compliance ([download](#))
- 99. WEEE Directive ([download](#))

Technical data

Class group: Installation bus systems

Mounting method: DRA (DIN-rail adaptor)

Class: Basic module for bus system

Packaging



8 007352 719255

8007352719255

Qtà 1 NR

Dim 5.1x3.5x5.5 [cm]

Weight 37.4 [g]



8 007352 719262

8007352719262

Qtà 60 NR

Dim 27x23x12.5 [cm]

Weight 2,473 [g]

You may also be interested in



32602.G - Frame XT 2M
black



32603.G - Frame XT 3M
black



32604.G - Frame XT 4M
black



32613.G - XT frame 3M
mixed+plate black



32614.G - XT frame 4M
mixed+plate black



32614.B - XT frame 4M
mixed+plate white



32602.B - Frame XT 2M
white



32602.C - Frame XT 2M
canvas



32603.B - Frame XT 3M
white



32603.C - Frame XT 3M
canvas



32604.B - Frame XT 4M
white



32604.C - Frame XT 4M
canvas



32613.B - XT frame 3M
mixed+plate white



32613.C - XT frame 3M
mixed+plate canvas



32614.C - XT frame 4M
mixed+plate canvas



32002 - Actuator XT By-
me Plus 2 relay

Legal

Vimar reserves the right to change at any time and without notice the characteristics of the products reported. Installation should be carried out by qualified staff in compliance with the current regulations regarding the installation of electrical equipment in the country where the products are installed. For the terms of use of the information on the product info sheet see [Conditions of Use](#).