



EIKON: Two rocker push buttons

R20521

Smart systems&products / By-me Plus / EIKON / Devices

Two rocker push buttons

Spare control device with two rocker buttons, to be completed with 1 or 2 module interchangeable buttons - 2 modules

Product Status

2 - Will be discontinued

Minimum order quantity

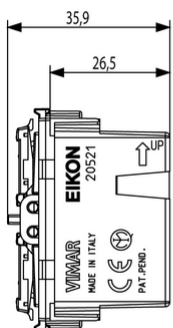
1 NR



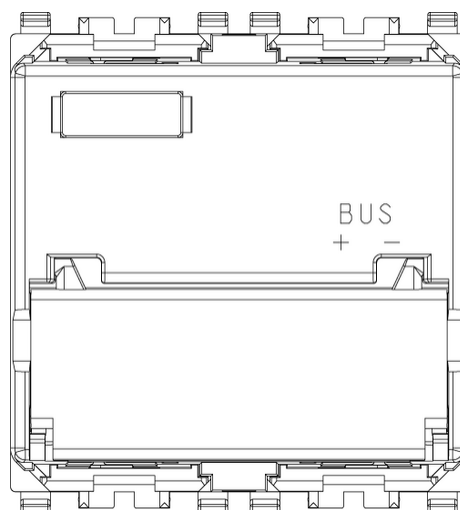
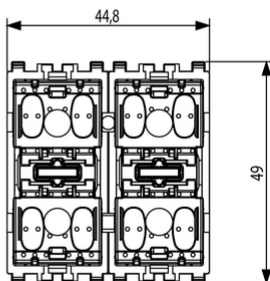
Sheets, Manuals, Documentation

- [Multilanguage instructions sheet \(3149 kb\)](#)
- [By-me automation-fw Compatibility \(206 kb\)](#)

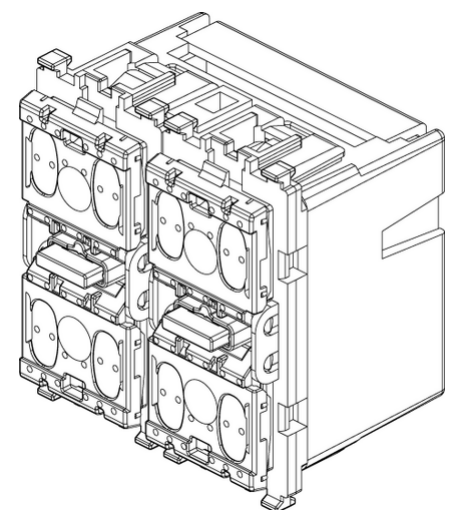
Drawings



Space view



Backside view



3D View

Certifications

- **00. CE Marking - EU**
- **37. Marking - Morocco**
- **46. UK PSTI compliance ([download](#))**
- **99. WEEE Directive ([download](#))**

Technical data

Class group: Domestic switching devices

Class: Push button

Assembly arrangement: Modular device for domestic switching devices

Model: Other

Operating method: Push button

Number of rockers: 2

Number of modules (module system): 200

Number of poles: 0

Nominal voltage: 29 V

With lighting: Yes

Monitoring contact: No

Mounting method: Built-in

Type of fastening: Engage (snap)

Material: Plastic

Material quality: Thermoplastic

Halogen free: Yes

Surface protection: Untreated

Surface finishing: Matt

Colour: Grey

RAL-number (similar): 7024

Transparent: No

Label space/information surface: Yes

Imprint: None

Suitable for degree of protection (IP): IP40

Device width: 44,80 mm

Device height: 49,00 mm

Device depth: 36,10 mm

Packaging



8007352616981

Qtà 1 NR

Dim 11.2x9.6x9.8
[cm]

Weight 104 [g]

Legal

Vimar reserves the right to change at any time and without notice the characteristics of the products reported. Installation should be carried out by qualified staff in compliance with the current regulations regarding the installation of electrical equipment in the country where the products are installed. For the terms of use of the information on the product info sheet see [Conditions of Use](#).