



Spare parts: Restraint ESM7

RA55

Safety / ELVOX Automations / Spare parts / Sliding

Restraint ESM7

ESM7 reduction unit. Includes shaft, ring gear, output pinion, bushings and retainer rings

Product Status

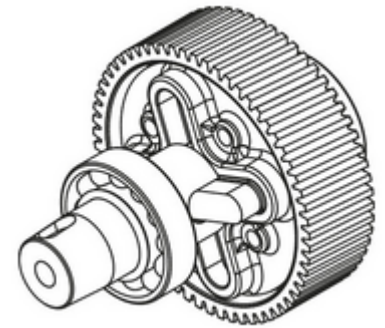
2 - Will be discontinued

Minimum order quantity

1 NR

Technical data

- **Class group:** Gate operators, pumps and ventilators
- **Class:** Gear motor for door control systems



- **Length:** 300 mm
- **Height:** 150 mm

Packaging



Code 8013406273963
Quantity 1 NR
Dim. 30x11x15 [cm]
Weight 743 [g]

Legal

Vimar reserves the right to change at any time and without notice the characteristics of the products reported. Installation should be carried out by qualified staff in compliance with the current regulations regarding the installation of electrical equipment in the country where the products are installed. For the terms of use of the information on the product info sheet see [Conditions of Use](#).