



Switchboards: Flush mounting box for V53124

V53324

System infrastructure / Enclosures and control units /
Switchboards / Flush mounting

Flush mounting box for V53124

Flush mounting box for 24-module consumer unit (GW 650 °C) for masonry walls, light blue. Dimensions 316x423x80 mm



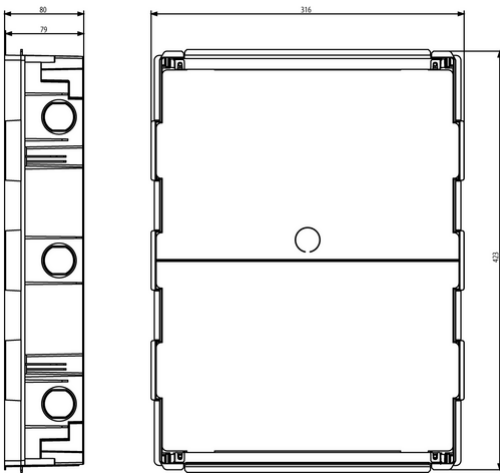
Product Status

3 - Active

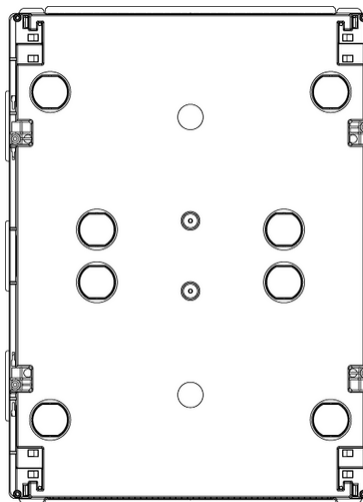
Minimum order quantity

7 NR

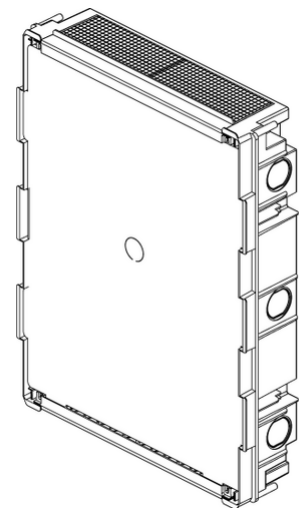
Drawings



Space view



Backside view



3D View

Certifications

- 00. CE Marking - EU
- 01. IMQ - Italy ([download](#))
- 96. Electrotechnical expert ([download](#))

Technical data

Class group: Distribution boards

Class: Empty cabinet

Mounting method: Flush-mounted

Type of covering: None

Cover model: None

Type of door: None

Transparent cover/door: No

With lock: No

Nominal current (In): 0 A

Height: 423 mm

Width: 316 mm

Depth: 80,00 mm

Built-in depth: 80,00 mm

Inner depth: 78,00 mm

Colour: Other

RAL-number: 0

Number of modules: 24

Number of rows: 2

Width in number of modular spacings: 24

Number of openings for flange plates: 0

Extension possible: No

Number of conduit inlets: 14

Housing material: Plastic

Surface protection: Untreated

With mounting plate: No

Suitable for outdoor use: No

Suitable for lightning protection: No

Degree of protection (IP): IP40

Protection class according to IEC 61140: II

Circuit integrity: None

Packaging



8007352509917

Qtà 1 NR

Dim 31.6x42x8 [cm]

Weight 708 [g]



8007352509924

Qtà 7 NR

Dim 58x38x42.5 [cm]

Weight 5,560 [g]

You may also be interested in



V53595 - Joint plate for consumer unit



V53562 - Terminal block holder consumer unit 12M



V53582 - Pipe clamp flange f/consumer unit 12M



V53572 - Dividing screen for consumer unit 12M



V53724 - Flush-mount box f/hollow walls f/V53124



V53124.B - Flush consumer unit 24M white



V53124 - Flush consumer unit 24M smokegrey

Legal

Vimar reserves the right to change at any time and without notice the characteristics of the products reported. Installation should be carried out by qualified staff in compliance with the current regulations regarding the installation of electrical equipment in the country where the products are installed. For the terms of use of the information on the product info sheet see [Conditions of Use](#).