



Connector block boxes: Flush mounting box 12-14M light blue

V71320

System infrastructure / Enclosures and control units / Connector block boxes / Flush mounting

Flush mounting box 12-14M light blue

12/14-module flush mounting box, (Glow Wire 650 °C), for masonry walls, light blue



- Plenty of space of internal wiring
- Wide range of accessories available: anti-mortar covers, coupling joints to create multiple series of boxes
- Knockouts designed for the insertion of pipes with various cross-sections
- Rack for fixing the dividing screen (patented)
- Fixing lug of the support screws with zinc-plating treatment to prevent the thread from clogging during installation and favour screwing

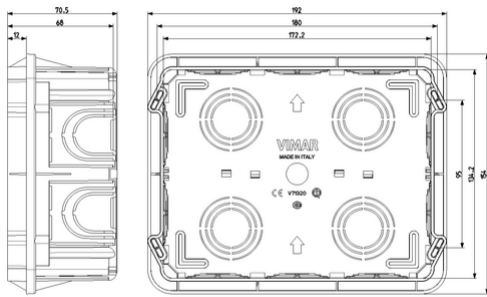
Product Status

3 - Active

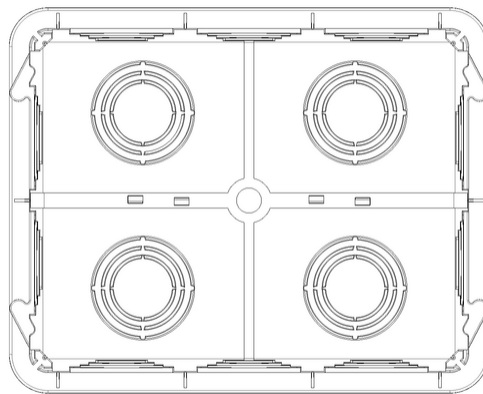
Minimum order quantity

20 NR

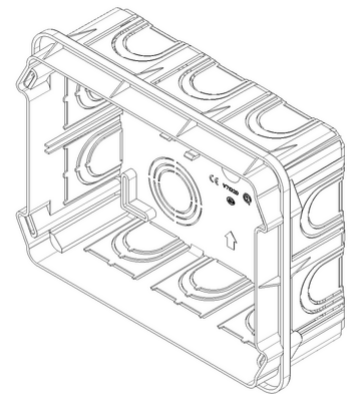
Drawings



Space view



Backside view



3D View

Certifications

- 00. CE Marking - EU
- 01. IMQ - Italy ([download](#))
- 96. Electrotechnical expert ([download](#))

Technical data

Class group: Electrical installation, isolation and connection material

Class: Box/housing for built-in mounting in the wall/ceiling

Mounting method: Flush-mounted

Shape: Rectangular

Construction type: Device connection box (round/square)

Model: Other

Provided with revolving ring: No

Couplable: Yes

Equipped with: None

Diameter: 0 mm

Length: 134,00 mm

Width: 180,00 mm

Depth: 0,00 - 70,00 mm

Inner depth: 50,00 mm

For number of device inserts: 14

Mounting switching equipment: Screwing

With screws: No

Housing feed-through by break-out opening: Yes

Housing feed-through by seal membrane: No

Housing feed-through by nozzle: No

Housing feed-through by step membrane: No

For tube diameter: 20/25 mm

Pipe locking: No

Pipe locking optional: No

Inlet from the rear: Yes

Number of inlets: 14

Number of included spouts: 0

Material: Plastic

Halogen free: Yes

Surface protection: Untreated

Colour: Blue

Degree of protection (IP): IP00

Cover model: None

Transparent cover: No

Cover attachment: Screwed

Sealable: No

Circuit integrity: None

With screening: No

Airtight: No

Max. conductor cross section: 0 mm²

Number of poles of the clamp: 0

Clamp position fixed: No

Luminaire hook mounting: No

Nozzle: None

Special application: None

Packaging



8 007352 117198

8007352117198

Qtà 1 NR

Dim 19x14.4x7 [cm]

Weight 129.8 [g]



8 007352 122390

8007352122390

Qtà 20 NR

Dim 59x38.5x24 [cm]

Weight 3,366 [g]

You may also be interested in



V71551 - Horiz.dividing
screen for flush-
mountbox



V71720 - Flush-mountbox
12-14M f/hollowwalls blue



V71630 - Cover for
V71320 V71620 and
V71720

Legal

Vimar reserves the right to change at any time and without notice the characteristics of the products reported. Installation should be carried out by qualified staff in compliance with the current regulations regarding the installation of electrical equipment in the country where the products are installed. For the terms of use of the information on the product info sheet see [Conditions of Use](#).