

01423 - 7" IP touch screen with capacitive colour display, used as a home automation system supervisor, IP/Due Fili Plus video door entry indoor station, IP camera manager, PoE or 24-30 VDC power supply, surface mounting with bracket on round mounting box, rectangular 3 module horizontal and vertical, and BS square mounting box.

01426 - 10" colour touch screen via specific gateway, used for home automation system supervision, IP/Due Fili Plus video door entry indoor station, IP video camera manager, power supply PoE or 24-30 VDC, for installation in:

- 2M and BS mounting boxes with a depth of 47 mm, using wall plugs;
- 3M horizontal and vertical mounting boxes;
- 8M (4+4) mounting boxes with mounting frame supplied.

View Touch is a supervisor that allows control of all PRO and SMART system functions through the relevant gateways.

There are two types of PRO systems:

1. with By-me Plus gateway, burglar alarm and/or video door entry system gateway;
2. with View Wireless gateway and burglar alarm and/or video door entry system.

SMART systems only have the View Wireless gateway.

PRO system

Via the available gateways (art. 01410/01411 for By-me Plus home automation systems, art. 03812-01712.1 for By-alarm Plus and By-alarm burglar alarm systems, art. 01415 for Due Fili Plus video door entry systems, art. 01416 for IP video door entry systems) View Touch monitors and controls the entire system. The View Touch can be used as an internal video entryphone, both for Due Fili Plus and IP systems, integrating with all devices in the video door entry system and offering all standard functions (video and intercom calls, door opening, switching on the stair lights, forwarding remote or local calls to mobile devices, video answering service). Without the gateway the View Touch can directly control IP RTSP cameras added locally to the device.

The View Touch can be used, in combination with the By-alarm Plus and By-alarm keyboard, which is always required, as an additional supervision point and to activate the alarm system, with a more intuitive and simple interface. If internet connection is available, the View Touch firmware can be updated automatically. The device sends video, RGB LED and/or audio notifications for missed calls, warnings and home automation system or video entryphone alarms and generic alarms.

SMART system

In this case, as the View Touch supervision system uses the Vimar Cloud, internet connection is always required. All View Wireless devices can be controlled through the IoT gateway art. 30807.x-xx597. And, if available, images of any IP RTSP cameras will be viewable.

COMMON CHARACTERISTICS:

- **Rated supply voltage:** 24-30 V DC or PoE class 0
- **Power supply mode (alternative):**
 - 24 VDC connectable to power supply unit art. 01833
 - 29 VDC connectable to the AUX output of power supply unit art. 01401 and 01989
 - PoE at 48 VDC via RJ45 socket outlet
- If powered by PoE there will only be a connection to the LAN network while with 24-30 VDC power supply there will also be + and - cables to be connected to the device terminal block.
- **Terminals:**
 - +, -, for 24-30 VDC power supply
 - RJ45 socket outlet for PoE power supply and domestic LAN
- **RGB LED:** signalling of home automation, burglar alarm and video door entry system events
- **Proximity sensor:** to wake up the display when a presence is detected
- **Environmental brightness sensor:** energy saving function with brightness control.
- **Reset push button** to reset the View Touch (see the VIEWS figure).
- **Functions:**
 - automation (By-me Plus, View Wireless)
 - burglar alarm system (By-alarm Plus, By-alarm)
 - video door entry system (DueFili/IP)
 - IP camera viewing via RTSP protocol
- **Operating temperature:** -5°C to +40°C (indoor use)

CHARACTERISTICS OF 01423

- **Display:** horizontal, touch screen, aspect ratio 16:10, resolution 1280x800px
- **Display size:** 7"
- **Absorption:**
 - PoE Class 0
 - AUX: 24-30 V, 250-190 mA
- **Surface mounting using the dedicated bracket:**
 - in 2M, BS mounting boxes with a depth of 47 mm and 3M vertical mounting boxes (use the template provided and the 4 screws and 4 S5 wall plugs supplied)
 - in 3M horizontal mounting boxes (see INSTALLATION EXAMPLE FOR ART. 01423)
 - in 8M (4+4) mounting boxes with mounting frame art. 01423.S (see INSTALLATION EXAMPLE FOR ART. 01423 WITH MOUNTING FRAME ART.01423.S)

CHARACTERISTICS OF 01426

- **Display:** horizontal, touch screen, aspect ratio 16:10, resolution 1920x1200px
- **Display size:** 10"
- **Absorption:**
 - PoE Class 0
 - AUX: 24-30 V, 310-250 mA
- **Surface mounting using the dedicated bracket:**
 - in 2M, BS mounting boxes with a depth of 47 mm (use the template provided and the 4 screws and 4 S5 wall plugs supplied)
 - in 3M horizontal and vertical mounting boxes
 - in 8M (4+4) mounting boxes (see INSTALLATION EXAMPLE FOR ART. 01426)

CONNECTIONS.

The View Touch supervisors are connected to the LAN network which is the element that allows all supervisors to interact with the different systems included in the system. For an overview of the architecture, see the CONNECTION figures.

CONFIGURATION.

The first time the View Touch is switched on (or after a reset), the wizard with the configuration procedure is shown, i.e.:

- touch screen language setting, time zone setting, date/time setting (users may set automatic date/time and manual confirmation/change);
- Ethernet network settings configuration (DHCP or static) and relevant parameters.

There are two association methods depending on the type of system:

PRO System

To associate the device to this system, the View Touch will display the procedure to follow using the View Pro app.

N.B. Even if the View Touch is to be used only to view IP RTSP digital cameras (to be added locally to the device), association using the View Pro app is still required.

SMART System

To associate the device to this system, the View Touch will display a QR code that must be scanned using the View Wireless app of the Administrator of the system to which the View Touch is to be associated with.



INSTALLATION RULES.

- Installation must be carried out by qualified persons in compliance with the current regulations regarding the installation of electrical equipment in the country where the products are installed.
- The View Touch should be installed in an offset position with respect to other devices with infrared receivers (such as TVs, etc.) to avoid possible interference. The proximity sensor can however be deactivated from the menu: **Settings** = **Device** = **Automatic activation in proximity**.
- The Ethernet line must be wired with a UTP (non-shielded) cable, CAT.5e or superior.
- Maximum Ethernet cable length: 100 m.
- When not using the PoE power supply, fit a dedicated cable with a cross section of between 2x0.5 mm² for short cables up to 2x1.0 mm² for long cables.
- **Caution:** The power supply unit Art. 01833 must not be placed inside the View Touch flush mounting box.

CAUTION: Update the firmware to the latest version! It can be downloaded from the cloud (with the device connected to the internet) or from www.vimar.com → Menu → Services for professionals → App & Software → View Pro

The installer and user manuals can be downloaded from the www.vimar.com website using the View Touch article code.

REGULATORY COMPLIANCE.

EMC directive. RoHS directive.

Standards EN IEC 62368-1, EN 55032, EN 55035, EN IEC 63000.

REACH (EU) Regulation no. 1907/2006 – Art.33. The product may contain traces of lead.

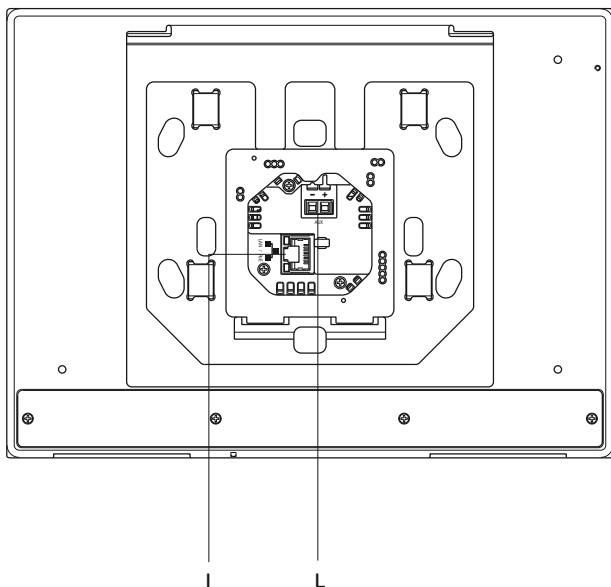
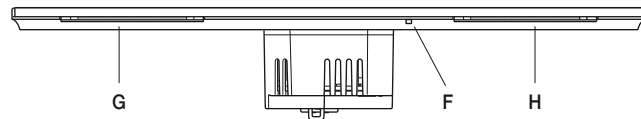
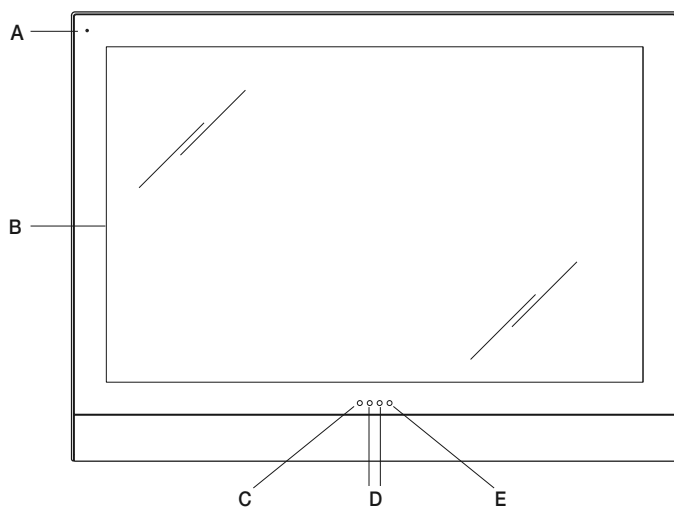
FCC (United States) Regulatory Statement
This device complies with part 15 of the FCC Rules. Operation is subject to the following two conditions: (1) this device may not cause harmful interference, and (2) this device must accept any interference received, including interference that may cause undesired operation of the device. Changes or modifications not expressly approved by the party responsible for compliance could void the user's authority to operate the equipment. N.B.: this equipment has been tested and found to comply with the limits for a Class B digital device, pursuant to Part 15 of the FCC Rules. These limits are designed to provide reasonable protection against harmful interference in a residential installation. This equipment generates, uses, and can radiate radio frequency energy and, if not installed and used in accordance with the instructions, may cause harmful interference to radio communications. However, there is no guarantee that interference will not occur in a particular installation. If this equipment does cause harmful interference to radio or television reception, which can be determined by turning the equipment off and on, the user is encouraged to try to correct the interference by adopting one or more of the following measures: - Reorient or relocate the receiving antenna. - Increase the distance between the equipment and receiver. - Connect the equipment to a socket outlet on a circuit different from that to which the receiver is connected. - Contact the dealer or an experienced radio/TV technician for assistance. This device complies with the FCC radiation exposure limits set forth for an uncontrolled environment. US Responsible Party: VIOLETTE ENGINEERING CORPORATION



WEEE - User information

The crossed out bin symbol indicates that the product must be sent to separate collection facilities for recovery and recycling, in compliance with the national laws of EU Countries that implement the WEEE Directive. The objective is to prevent any harmful effects on the environment and on human health by ensuring that products are disposed of correctly, avoiding illegal disposal sanctioned by law. To dispose of the product correctly, please check local dispositions in your country.

VIEWS OF 01423 and 01426

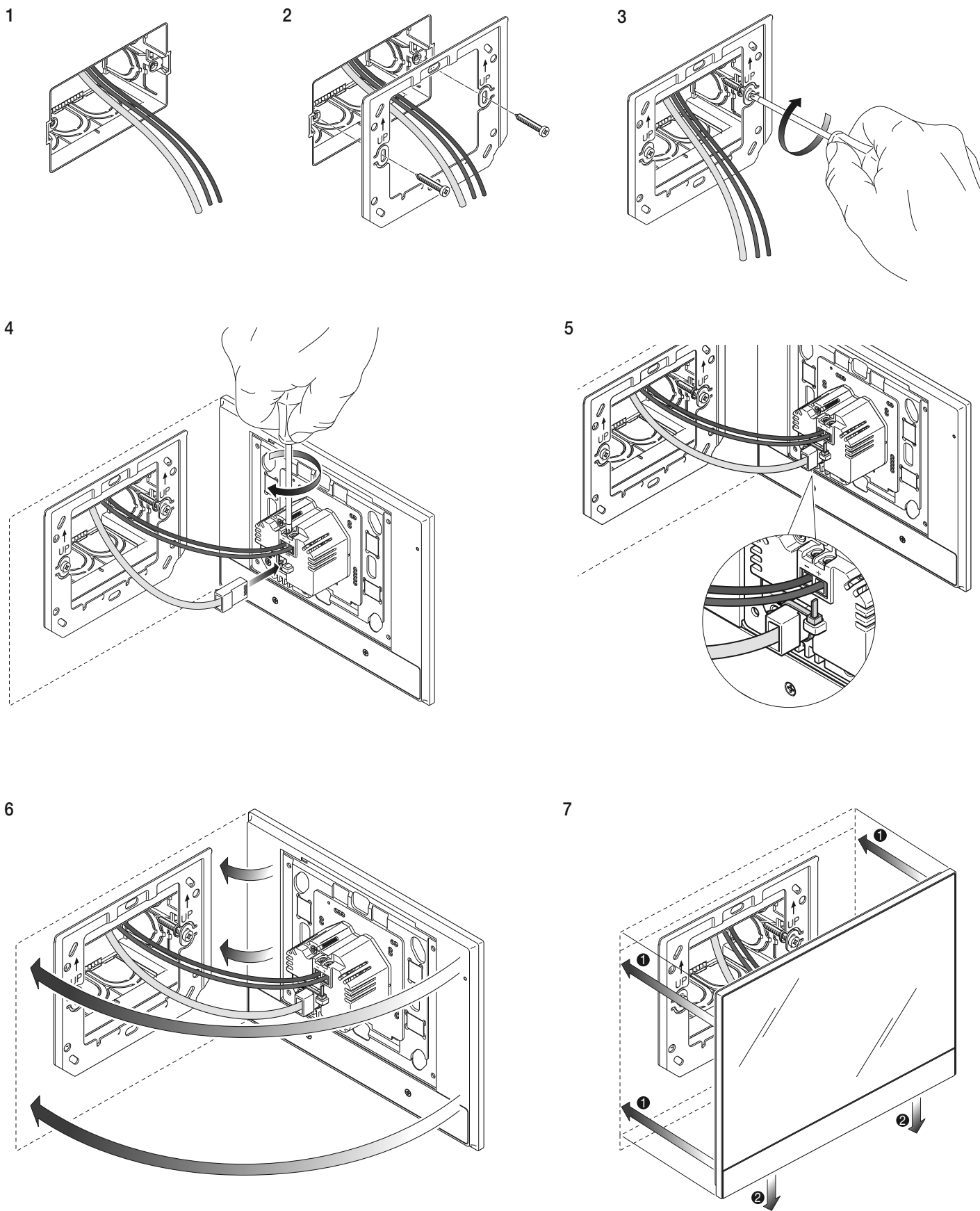


IMPORTANT: Make the connection to the network by wiring a UTP category 5e cable (art. 03050; 03050.B; 03051) or UTP category 6 cable (art. 03071) to the specific RJ45 connectors supplied.

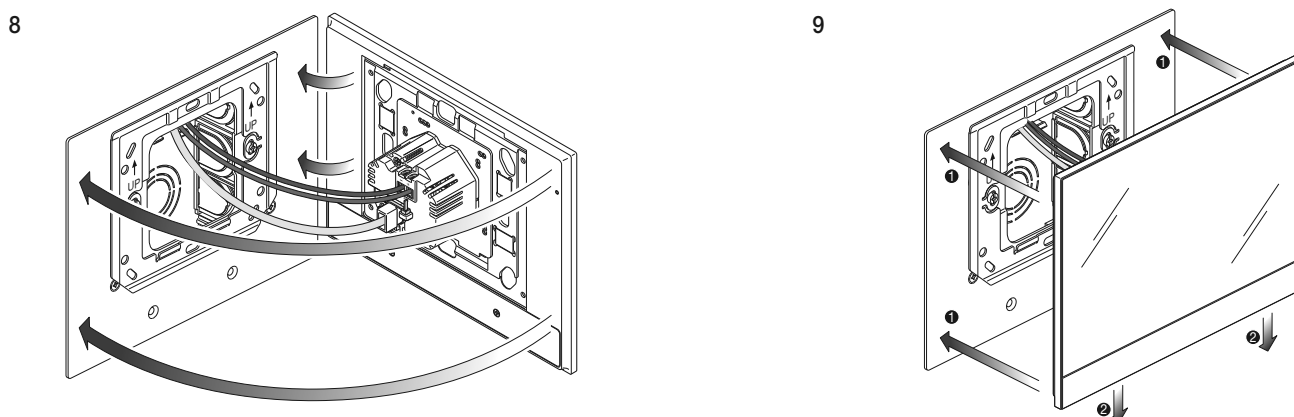
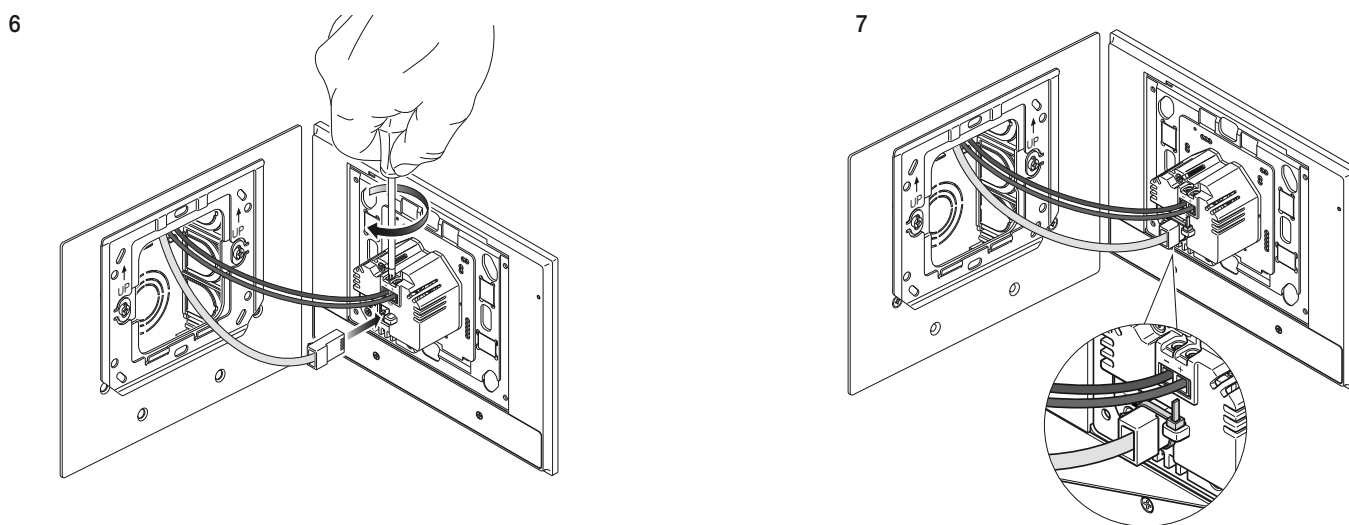
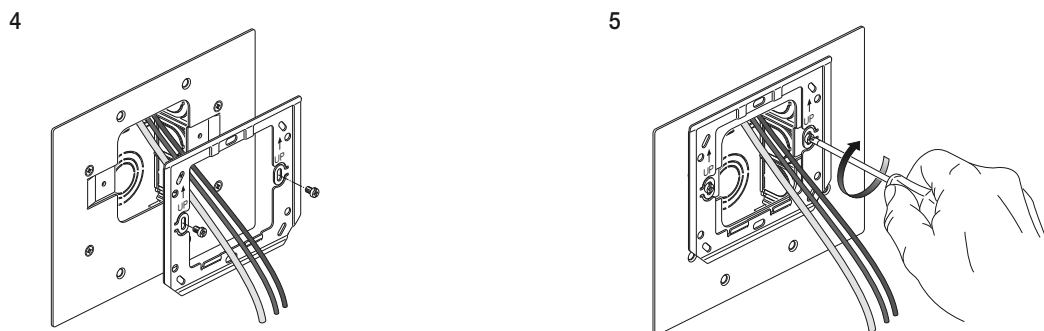
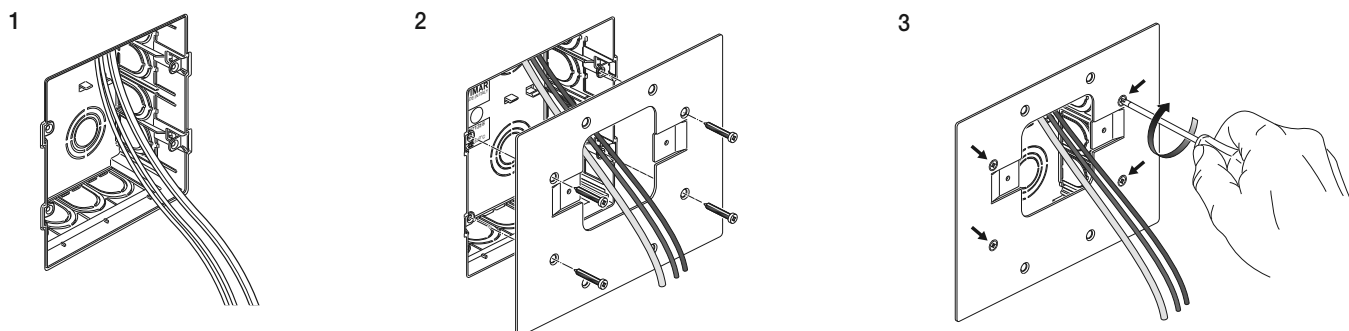
- A: Microphone
- B: Display
- C: RGB LED
- D: Proximity sensor
- E: Environmental brightness sensor
- F: Reset push button (use a small screwdriver or similar tool to press it)
- G-H: Left and right speaker
- I: RJ45 PoE socket outlet
- L: 24-30 VDC power supply terminals

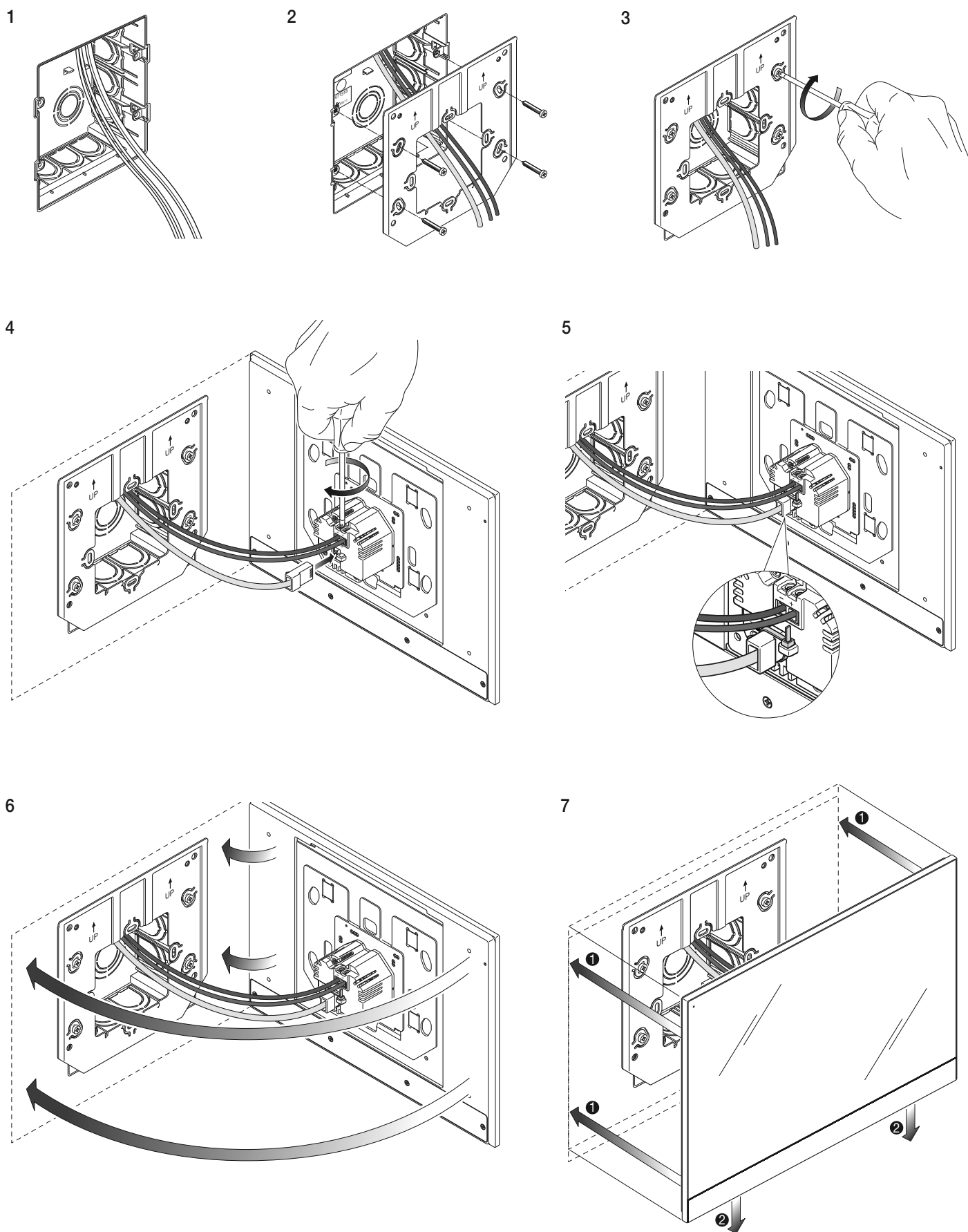
Colour of the LED	Notification
Red, <i>steady</i>	Generic burglar alarm (break-in, tampering, etc.).
Red, <i>blinking</i>	Alarm memory (the alarm was remedied but is still stored).
Amber, <i>steady</i>	Technical alarm.
Green, <i>blinking</i>	Disconnection of a load following the exceeding of the threshold value.
Blue, <i>blinking</i>	Generic video door entry notification (missed call, new video message, etc.)

INSTALLATION EXAMPLE FOR ART. 01423

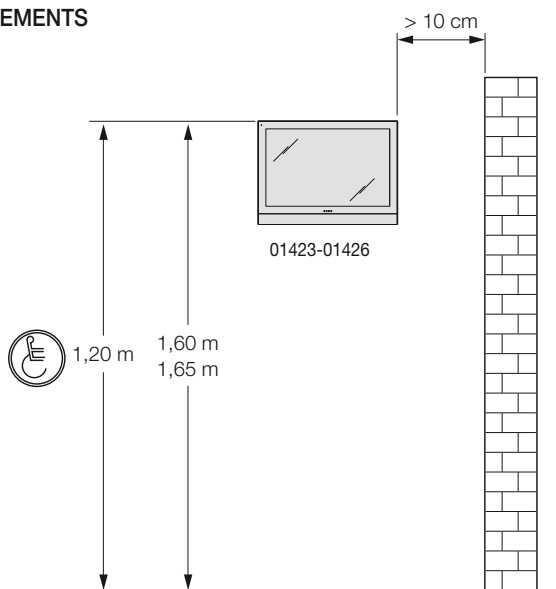


INSTALLATION EXAMPLE FOR ART. 01423 WITH MOUNTING FRAME ART.01423.S

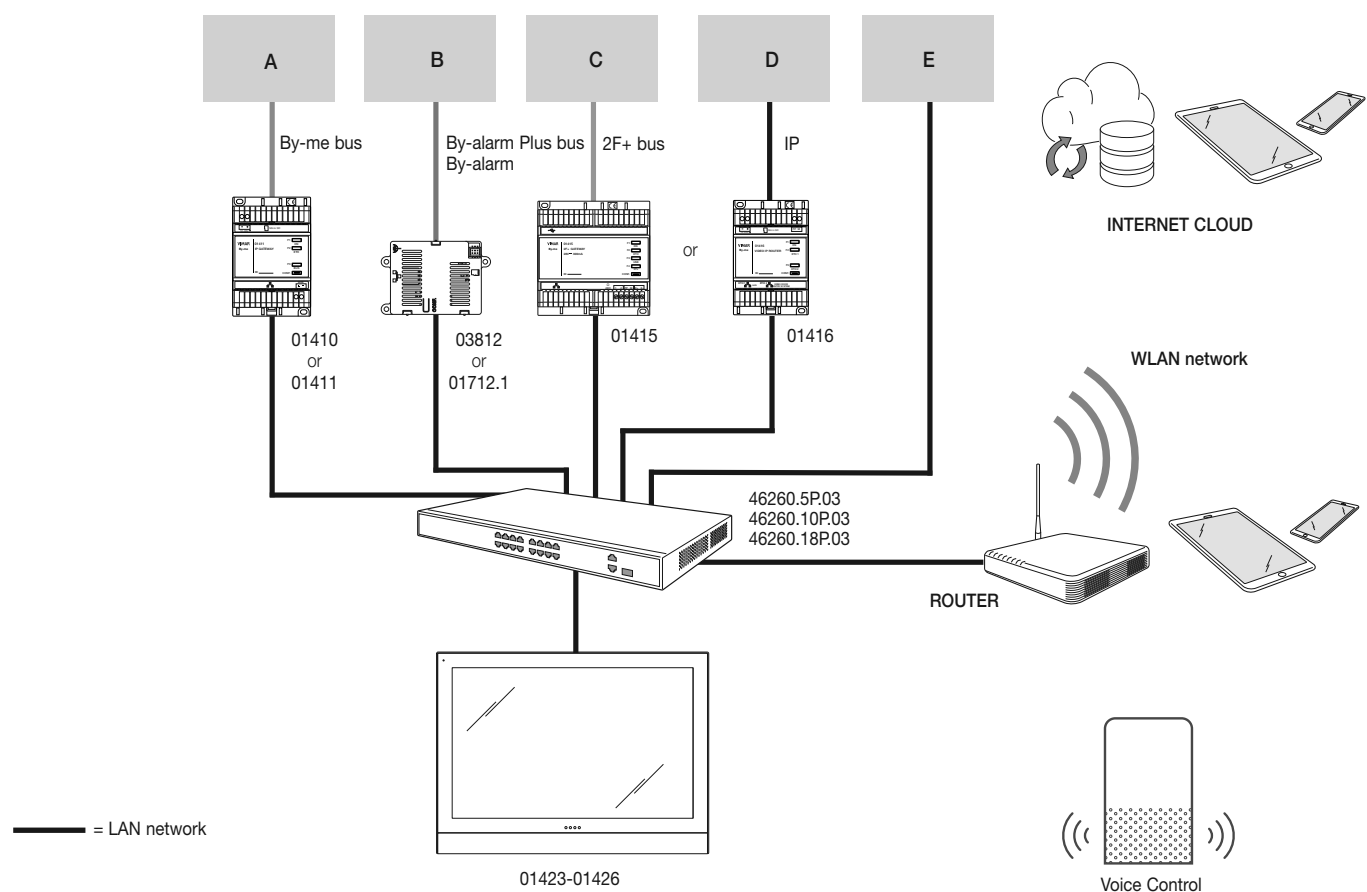


INSTALLATION EXAMPLE FOR ART. 01426


INSTALL THE DEVICE ACCORDING TO THE INDICATED MEASUREMENTS

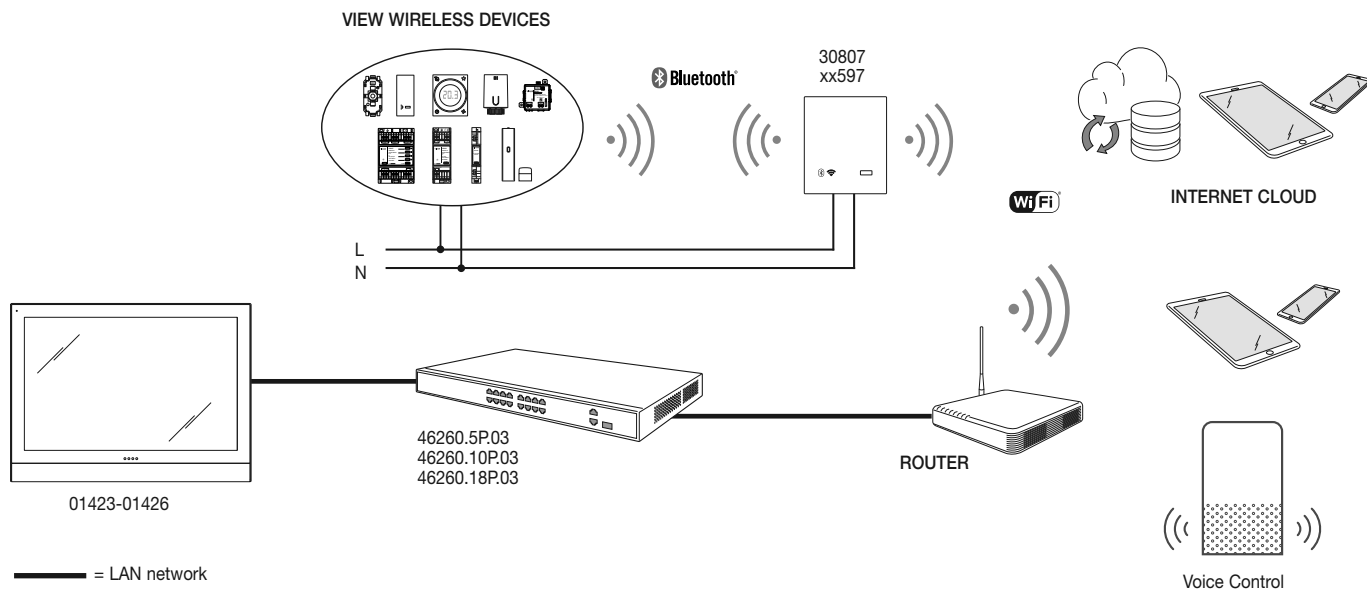


CONNECTION ON A VIEW IoT SMART SYSTEM PLATFORM INTEGRATED INFRASTRUCTURE (PRO SYSTEM)

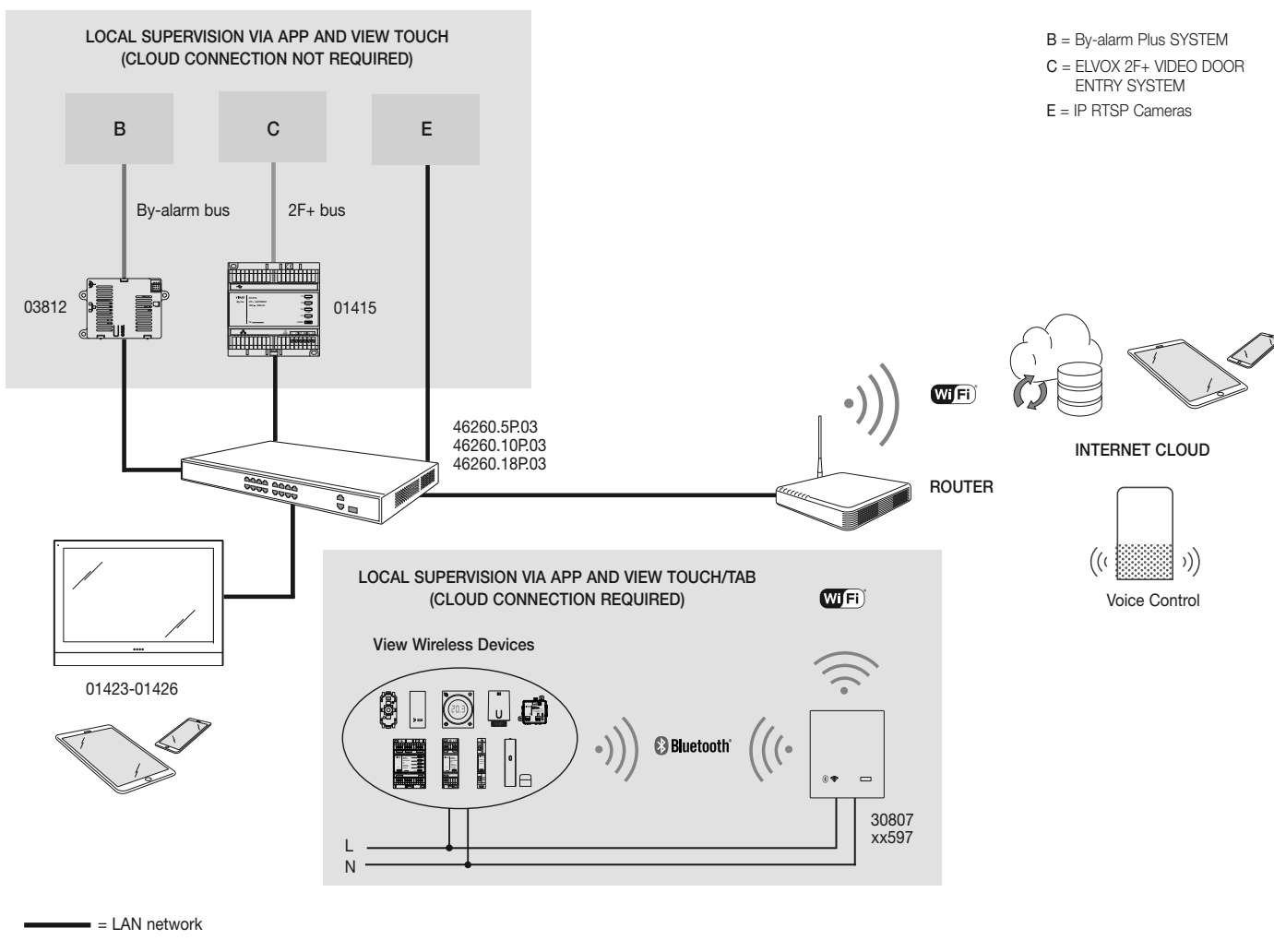


- A = By-me Plus SYSTEM
- B = By-alarm Plus or By-alarm SYSTEM
- C = ELVOX 2F+ VIDEO DOOR ENTRY SYSTEM
- D = ELVOX IP VIDEO DOOR ENTRY SYSTEM
- E = IP RTSP CAMERAS

CONNECTION IN A VIEW WIRELESS SYSTEM (SMART SYSTEM)



CONNECTION IN A VIEW WIRELESS SYSTEM WITH SUPERVISION OF BURGLAR ALARM AND VIDEO DOOR ENTRY SYSTEMS (PRO SYSTEM)



IMPORTANT: CLOUD CONNECTION IS ALWAYS REQUIRED FOR REMOTE SUPERVISION (VIA APP).